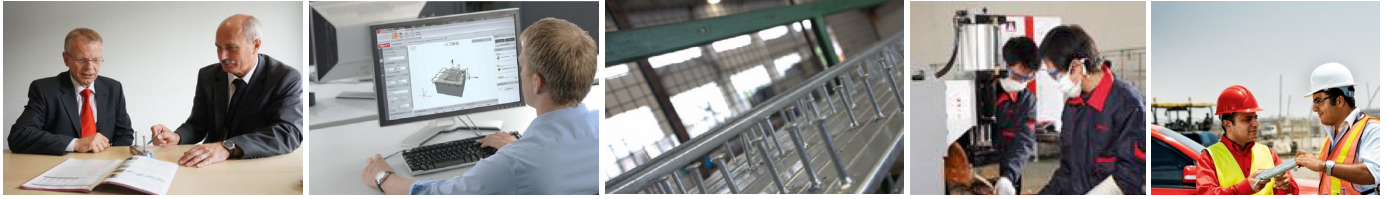


Going beyond the limit:
NEW PEC-TA-P

Product Range & Prices 2022/2

PEC Fixing Solutions





PEC – Your expert for high-end fixing solutions

We develop, produce and distribute technically sophisticated and approved products for the construction industry. The PEC product range includes anchoring, façade and system components as well as an extensive range of accessories. We combine German technical know-how with the advantageous production conditions in China. This benefits the customers of PEC, as we can not only realize high-end fixing solutions with a wide range of ETA approved products at highly competitive costs but we are also flexible to optimize a product according to your needs with the support of production and engineering.

Since 2016 we belong to the Hilti Group in Liechtenstein. This gives our customers even more reliability and trust. Benefit from: optimized quality control, competent technical advice and training, worldwide sales and service support as well as simple and fast order processing through the expansion of our sales warehouses.

PEC – Quality management

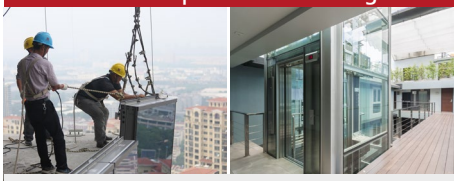

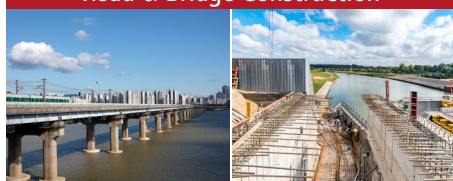
A comprehensive quality management system according to European standards ensures technical high-end products

All testing of PEC Cast-in Channels and other products is performed in Europe according to European standards. Moreover continuous in-house testing is conducted and recorded on a regular basis. Third party-monitoring of ongoing production procedures is done as per relevant approval specifications which results in consistently high quality products.



PEC – Application areas

High-end fixing solutions for various application areas in the construction industry.

Office & Apartment Buildings	Industrial Buildings	Sub- and Railway Construction
 <ul style="list-style-type: none"> ■ Façade: curtain wall, concrete facades, brick facades ■ Elevators fastening ■ Supply lines fastening 	 <ul style="list-style-type: none"> ■ Façade ■ Machine and shelf fastening ■ Supply lines fastening ■ Elevators fastening 	 <ul style="list-style-type: none"> ■ Supply lines fastening in tunnels and stations ■ Traffic signs fastening ■ Evacuation platform fastening
Plant & Power Plant Construction	Road & Bridge Construction	Other Applications
 <ul style="list-style-type: none"> ■ Supply lines fastening ■ Machine fastening ■ Repair plank fastening ■ Transfer conveyor belt fastening 	 <ul style="list-style-type: none"> ■ Supply lines fastening in bridges ■ Traffic signs fastening ■ Security fence fastening ■ Noise & safety barrier fastening 	 <ul style="list-style-type: none"> ■ Stadium construction (seat fastening, fastening of precast elements & supply lines) ■ Cable cars & airports ■ Water treatment plants

Technical information, delivery notes, prices

All our deliveries and services are subject to the General Terms of PEC Europe GmbH, as of December 2016.

Prices

Prices are quoted in Euro and relate to deliveries from our warehouse in Germany VAT added as applicable on the date of delivery.

Inflationary and alloy surcharges

We don't consider inflationary and alloy surcharges until further notice.

Minimum order charges

We charge a minor quantity surcharge of 25,- Euro if the order net value is less than 175,- Euro.

Freight packages

Parcel service: 15,- Euro per package up to 30 kg within Germany.
Prices for express shipments at cost.

Truck delivery: Above 2.000,- Euro net order value carriage is free within Germany.
Price for appointment shipments and consignments <2.000, - Euro according to expenditure.
Above 3.000,- Euro net order value carriage is free to other European countries, close to German borders.

Packaging

Our prices include standard packaging.
Special packaging, box pallets, crates and pallets will be charged separately.

Package sizes

All products of PEC Group are delivered in solid packaging. This simplifies handling on site and shipping in the event of resale. For details about packaging sizes, please refer to the price list.

Return of goods

A return of goods is only possible after prior agreement. The material must be in a resalable condition. For restocking we charge 15% of the net value. Customized products are excluded from return.

Program Range & Prices	Page
PEC Group	3
Delivery Information	4
Cast-in Channels	6-17
PEC Cast-in Channel TA-CE-28/15	6
PEC Cast-in Channel TA-CE-38/17	6
PEC Cast-in Channel TA-CE-40/25	7
PEC Cast-in Channel TA-CE-49/30	7
PEC Cast-in Channel TA-CE-54/33	8
PEC Cast-in Channel TA for pre-cast lintels Type ES	8
PEC Cast-in Channel TA-CE-40/22 hot-rolled	9
PEC Cast-in Channel TA-CE-50/30 hot-rolled	10
PEC Cast-in Channel TA-CE-52/34 hot-rolled	10
PEC Cast-in Channel TA-CE-40/22-P hot-rolled	11
PEC Cast-in Channel TA-CE-50/30-P hot-rolled	12
PEC TU Cast-in Channel TU 60/22/3	13
PEC TU Cast-in Channel TU 60/22/6	14
PEC Cable Holder System KHB and KHM	15
PEC Cable Holder Channel Accessories	15
PEC Corner Guards	16
PEC Toothed Straps VL 28/15	17
PEC Toothed Straps VL 38/17	17
Brick-Tie-Channel System	18-19
PEC Brick Tie Channel MS 25/15-D	18
PEC Brick Tie Channel ML / BL and PB	18
PEC-TEC Brick Tie System	19
Framing Channels	20-22
PEC Framing Channel hot-rolled	20-21
PEC Framing Channel cold-rolled	22
PEC Clamping plates	22
T-Bolts	23-26
PEC Hook Head Bolts	23-24
PEC Notched Bolts	25
PEC Hammer Head Bolts	26-27
PEC Sandwich Panel Anchors	28-32
PEC Sandwich Panel Anchor SPA-1	28
PEC Sandwich Panel Anchor SPA-2	29
PEC Sandwich Panel Anchor SPA-N	30
PEC Sandwich Panel Anchor SPA-A	31
PEC Sandwich Panel Anchor SPA-B	32

PEC Cast-in Channel TA-CE-28/15

With profiled foam filler (PKF)
and PEC Ripline

European Technical Assessment ETA-16/0929

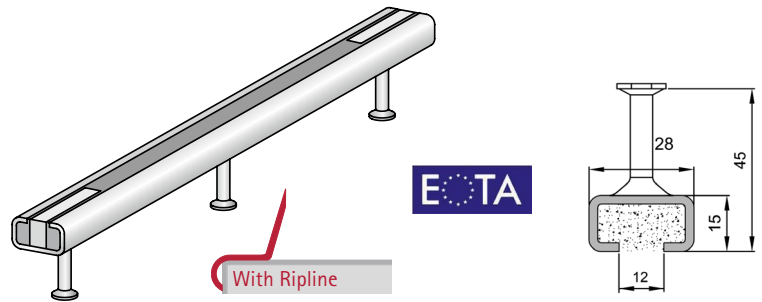
Packing Unit

For L = 3.050: 1 bundle = 84 pcs. = 256 m

For L = 6.070: 1 bundle = 84 pcs. = 510 m

Standard surcharge for fixed length: 10 % on cuttable lengths

Special surcharge for fixed length: 20 %



Hot-dip galvanized (FV)					
Description PEC-TA-CE-	Length (mm)	Anchors	Article No. 0011-2815-	Price €/Unit	VPE Piece
28/15-FV-PKF-0100	100	2	02-00-0100	7,48	210
28/15-FV-PKF-0150	150	2	02-00-0150	8,28	175
28/15-FV-PKF-0200	200	2	02-00-0200	9,11	130
28/15-FV-PKF-0250	250	2	02-00-0250	9,92	105
28/15-FV-PKF-0300	300	3	02-00-0300	13,20	85
28/15-FV-PKF-0350	350	3	02-00-0350	16,46	70
28/15-FV-PKF-0450	450	3	02-00-0450	17,88	84
28/15-FV-PKF-0550	550	4	02-00-0550	18,74	84
28/15-FV-PKF-0850	850	5	02-00-0850	26,17	84
28/15-FV-PKF-1050	1.050	6	02-00-1050	31,04	84
28/15-FV-PKF-3050	3.050	16	02-00-3050	72,24	84
28/15-FV-PKF-6070	6.070	31	02-00-6070	136,80	84

Other short pieces L < 1.050 mm: On request

Meter price based on 6.070 mm channel: 22,54 Euro / meter

Stainless steel 1.4571/1.4401 (A4) with stainless steel anchor					
Description PEC-TA-CE-	Length (mm)	Anchors	Article No. 0021-2815-	Price €/Unit	VPE Piece
28/15-A4-PKF-0100	100	2	04-00-0100	21,66	210
28/15-A4-PKF-0150	150	2	04-00-0150	24,21	175
28/15-A4-PKF-0200	200	2	04-00-0200	26,64	130
28/15-A4-PKF-0250	250	2	04-00-0250	29,40	105
28/15-A4-PKF-0300	300	3	04-00-0300	34,46	85
28/15-A4-PKF-0350	350	3	04-00-0350	39,53	70
28/15-A4-PKF-0450	450	3	04-00-0450	45,53	84
28/15-A4-PKF-0550	550	4	04-00-0550	51,47	84
28/15-A4-PKF-0850	850	5	04-00-0850	74,60	84
28/15-A4-PKF-1050	1.050	6	04-00-1050	93,29	84
28/15-A4-PKF-3050	3.050	16	04-00-3050	258,28	84
28/15-A4-PKF-6070	6.070	31	04-00-6070	489,52	84

Other short pieces L < 1.050 mm: On request

Meter price based on 6.070 mm channel: 80,65 Euro / meter

PEC Cast-in Channel TA-CE-38/17

With profiled foam filler (PKF)
and PEC Ripline

European Technical Assessment ETA-16/0929

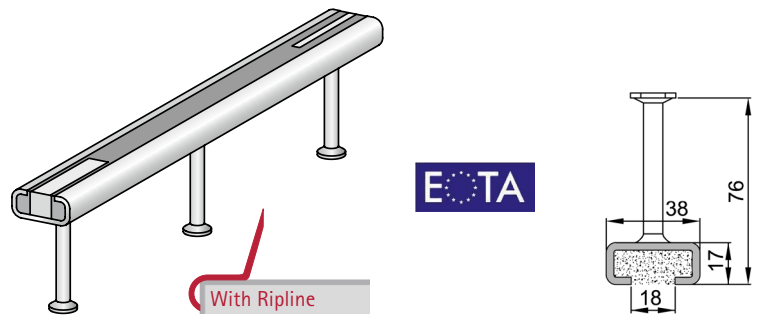
Packing Unit

For L = 3.050: 1 bundle = 84 pcs. = 256 m

For L = 6.070: 1 bundle = 84 pcs. = 510 m

Standard surcharge for fixed length: 10 % on cuttable lengths

Special surcharge for fixed length: 20 %



Hot-dip galvanized (FV)					
Description PEC-TA-CE-	Length (mm)	Anchors	Article No. 0011-3817-	Price €/Unit	VPE Piece
38/17-FV-PKF-0100	100*	2	02-00-0100	9,30	120
38/17-FV-PKF-0150	150	2	02-00-0150	10,31	90
38/17-FV-PKF-0200	200	2	02-00-0200	11,21	70
38/17-FV-PKF-0250	250	2	02-00-0250	12,21	60
38/17-FV-PKF-0300	300	3	02-00-0300	16,02	45
38/17-FV-PKF-0350	350	3	02-00-0350	19,82	35
38/17-FV-PKF-0450	450	3	02-00-0450	20,64	84
38/17-FV-PKF-0550	550	4	02-00-0550	23,22	84
38/17-FV-PKF-0850	850	5	02-00-0850	29,88	84
38/17-FV-PKF-1050	1.050	6	02-00-1050	39,13	84
38/17-FV-PKF-3050	3.050	16	02-00-3050	96,13	84
38/17-FV-PKF-6070	6.070	31	02-00-6070	182,68	84

Other short pieces L < 1.050 mm: On request

Meter price based on 6.070 mm channel: 30,10 Euro / meter

*Special length outside ETA

Stainless steel 1.4571/1.4401 (A4) with stainless steel anchor					
Description PEC-TA-CE-	Length (mm)	Anchors	Article No. 0021-3817-	Price €/Unit	VPE Piece
38/17-A4-PKF-0100	100*	2	04-00-0100	26,64	120
38/17-A4-PKF-0150	150	2	04-00-0150	30,89	90
38/17-A4-PKF-0200	200	2	04-00-0200	34,81	70
38/17-A4-PKF-0250	250	2	04-00-0250	38,58	60
38/17-A4-PKF-0300	300	3	04-00-0300	45,83	45
38/17-A4-PKF-0350	350	3	04-00-0350	53,08	35
38/17-A4-PKF-0450	450	3	04-00-0450	62,39	84
38/17-A4-PKF-0550	550	4	04-00-0550	73,67	84
38/17-A4-PKF-0850	850	5	04-00-0850	100,71	84
38/17-A4-PKF-1050	1.050	6	04-00-1050	134,10	84
38/17-A4-PKF-3050	3.050	16	04-00-3050	388,54	84
38/17-A4-PKF-6070	6.070	31	04-00-6070	736,49	84

Other short pieces L < 1.050 mm: On request

Meter price based on 6.070 mm channel: 121,33 Euro / meter

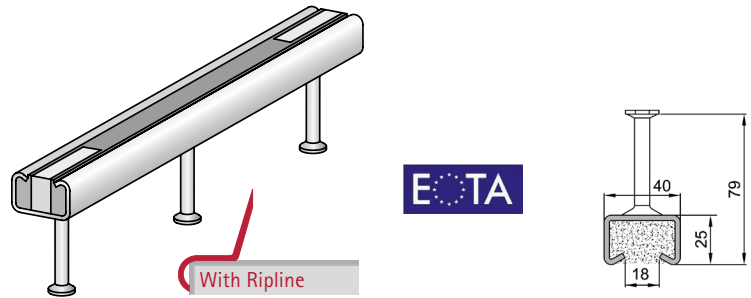
*Special length outside ETA

PEC Cast-in Channel TA-CE-40/25

With profiled foam filler (PKF)
and PEC Ripline
European Technical Assessment ETA-16/0929

Packing Unit
For L = 3.050: 1 bundle = 70 pcs. = 214 m
For L = 6.070: 1 bundle = 70 pcs. = 425 m

Standard surcharge for fixed length: 10 % on cuttable lengths
Special surcharge for fixed length: 20 %



Hot-dip galvanized (FV)					
Description PEC-TA-CE-	Length (mm)	Anchors	Article No. 0011-4025-	Price €/Unit	VPE Piece
40/25-FV-PKF-0150	150	2	02-00-0150	12,21	80
40/25-FV-PKF-0200	200	2	02-00-0200	13,43	60
40/25-FV-PKF-0250	250	2	02-00-0250	14,36	50
40/25-FV-PKF-0300	300	2	02-00-0300	15,45	40
40/25-FV-PKF-0350	350	3	02-00-0350	19,37	35
40/25-FV-PKF-0400	400	3	02-00-0400	20,64	70
40/25-FV-PKF-0550	550	3	02-00-0550	24,21	70
40/25-FV-PKF-0800	800	4	02-00-0800	33,12	70
40/25-FV-PKF-1050	1.050	5	02-00-1050	42,37	70
40/25-FV-PKF-3050	3.050	13	02-00-3050	111,90	70
40/25-FV-PKF-6070	6.070	25	02-00-6070	213,31	70

Other short pieces L < 1.050 mm: On request
Meter price based on 6.070 mm channel: 35,14 Euro / meter

Stainless steel 1.4571/1.4401 (A4) with stainless steel anchor					
Description PEC-TA-CE-	Length (mm)	Anchors	Article No. 0021-4025-	Price €/Unit	VPE Piece
40/25-A4-PKF-0150	150	2	04-00-0150	34,81	80
40/25-A4-PKF-0200	200	2	04-00-0200	39,13	60
40/25-A4-PKF-0250	250	2	04-00-0250	46,13	50
40/25-A4-PKF-0300	300	2	04-00-0300	52,47	40
40/25-A4-PKF-0350	350	3	04-00-0350	62,39	35
40/25-A4-PKF-0400	400	3	04-00-0400	68,33	70
40/25-A4-PKF-0550	550	3	04-00-0550	87,36	70
40/25-A4-PKF-0800	800	4	04-00-0800	124,06	70
40/25-A4-PKF-1050	1.050	5	04-00-1050	158,64	70
40/25-A4-PKF-3050	3.050	13	04-00-3050	428,69	70
40/25-A4-PKF-6070	6.070	25	04-00-6070	836,79	70

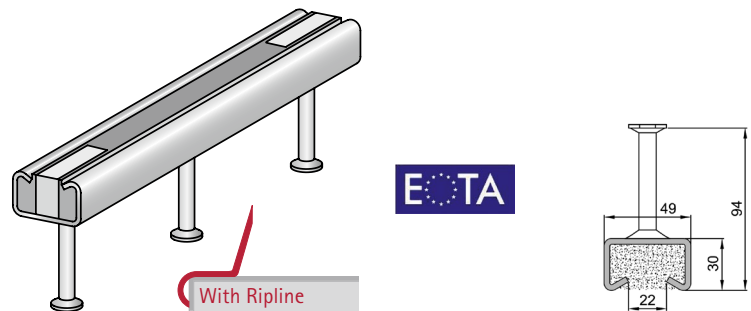
Other short pieces L < 1.050 mm: On request
Meter price based on 6.070 mm channel: 137,86 Euro / meter

PEC Cast-in Channel TA-CE-49/30

With profiled foam filler (PKF)
and PEC Ripline
European Technical Assessment ETA-16/0929

Packing Unit
For L = 3.050: 1 bundle = 54 pcs. = 165 m
For L = 6.070: 1 bundle = 54 pcs. = 328 m

Standard surcharge for fixed length: 10 % on cuttable lengths
Special surcharge for fixed length: 20 %



Hot-dip galvanized (FV)					
Description PEC-TA-CE-	Length (mm)	Anchors	Article No. 0011-4930-	Price €/Unit	VPE Piece
49/30-FV-PKF-0150	150	2	02-00-0150	15,45	50
49/30-FV-PKF-0200	200	2	02-00-0200	16,67	40
49/30-FV-PKF-0250	250	2	02-00-0250	17,82	30
49/30-FV-PKF-0300	300	2	02-00-0300	19,15	30
49/30-FV-PKF-0350	350	3	02-00-0350	24,96	25
49/30-FV-PKF-0400	400	3	02-00-0400	26,64	54
49/30-FV-PKF-0550	550	3	02-00-0550	30,53	54
49/30-FV-PKF-0800	800	4	02-00-0800	42,16	54
49/30-FV-PKF-1050	1.050	5	02-00-1050	52,14	54
49/30-FV-PKF-3050	3.050	13	02-00-3050	147,53	54
49/30-FV-PKF-6070	6.070	25	02-00-6070	281,68	54

Other short pieces L < 1.050 mm: On request
Meter price based on 6.070 mm channel: 46,41 Euro / meter

Stainless steel 1.4571/1.4401 (A4) with stainless steel anchor					
Description PEC-TA-CE-	Length (mm)	Anchors	Article No. 0021-4930-	Price €/Unit	VPE Piece
49/30-A4-PKF-0150	150	2	04-00-0150	40,80	50
49/30-A4-PKF-0200	200	2	04-00-0200	47,63	40
49/30-A4-PKF-0250	250	2	04-00-0250	55,19	30
49/30-A4-PKF-0300	300	2	04-00-0300	63,68	30
49/30-A4-PKF-0350	350	3	04-00-0350	77,37	25
49/30-A4-PKF-0400	400	3	04-00-0400	85,53	54
49/30-A4-PKF-0550	550	3	04-00-0550	110,76	54
49/30-A4-PKF-0800	800	4	04-00-0800	156,16	54
49/30-A4-PKF-1050	1.050	5	04-00-1050	203,45	54
49/30-A4-PKF-3050	3.050	13	04-00-3050	583,63	54
49/30-A4-PKF-6070	6.070	25	04-00-6070	1106,54	54

Other short pieces L < 1.050 mm: On request
Meter price based on 6.070 mm channel: 182,30 Euro / meter

PEC Cast-in Channel TA-CE-54/33

With profiled foam filler (PKF)
and PEC Ripline
European Technical Assessment ETA-16/0929

Packing Unit
For L = 3.050: 1 bundle = 27 pcs. = 82 m
For L = 6.070: 1 bundle = 27 pcs. = 164 m

Standard surcharge for fixed length: 10 % on cuttable lengths
Special surcharge for fixed length: 20 %



Hot-dip galvanized (FV)					
Description PEC-TA-CE-	Length (mm)	Anchors	Article No. 0011-5433-	Price €/Unit	VPE Piece
54/33-FV-PKF-0150	150	2	02-00-0150	24,55	30
54/33-FV-PKF-0200	200	2	02-00-0200	27,80	25
54/33-FV-PKF-0250	250	2	02-00-0250	30,89	20
54/33-FV-PKF-0300	300	2	02-00-0300	34,13	15
54/33-FV-PKF-0350	350	3	02-00-0350	43,24	15
54/33-FV-PKF-0400	400	3	02-00-0400	46,07	27
54/33-FV-PKF-0550	550	3	02-00-0550	54,03	27
54/33-FV-PKF-0800	800	4	02-00-0800	78,18	27
54/33-FV-PKF-1050	1.050	5	02-00-1050	102,25	27
54/33-FV-PKF-3050	3.050	13	02-00-3050	240,85	27
54/33-FV-PKF-6070	6.070	25	02-00-6070	468,75	27

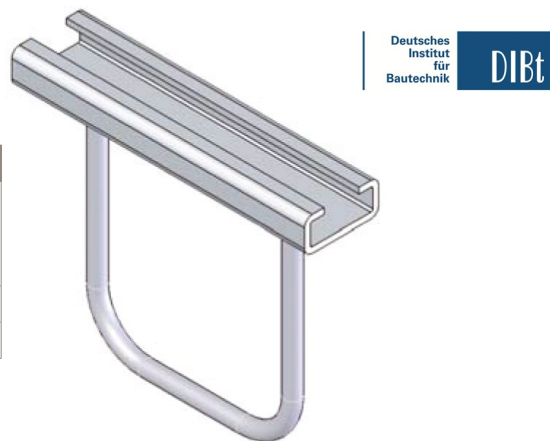
Other short pieces L < 1.050 mm: On request
Meter price based on 6.070 mm channel: 77,22 Euro / meter

Stainless steel 1.4571/1.4401 (A4) with stainless steel anchor					
Description PEC-TA-CE-	Length (mm)	Anchors	Article No. 0021-5433-	Price €/Unit	VPE Piece
54/33-A4-PKF-0150	150	2	04-00-0150	67,18	30
54/33-A4-PKF-0200	200	2	04-00-0200	82,58	25
54/33-A4-PKF-0250	250	2	04-00-0250	95,85	20
54/33-A4-PKF-0300	300	2	04-00-0300	111,98	15
54/33-A4-PKF-0350	350	3	04-00-0350	135,73	15
54/33-A4-PKF-0400	400	3	04-00-0400	151,02	27
54/33-A4-PKF-0550	550	3	04-00-0550	194,53	27
54/33-A4-PKF-0800	800	4	04-00-0800	279,22	27
54/33-A4-PKF-1050	1.050	5	04-00-1050	359,19	27
54/33-A4-PKF-3050	3.050	13	04-00-3050	836,76	27
54/33-A4-PKF-6070	6.070	25	04-00-6070	1628,67	27

Other short pieces L < 1.050 mm: On request
Meter price based on 6.070 mm channel: 268,31 Euro / meter

PEC Cast-in Channel TA Type ES for pre-cast lintels

With profiled foam filler (PKF) and stainless steel strap
German National Approval Z-21.4-2046.



Stainless steel 1.4571/1.4401 (A4)					
Description PEC-TA-	Length (mm)	Load level (kN)	Article No. 002-	Price €/Unit	VPE Piece
28/15-ES-A4-PKF-0150	150	3,5	2815-04-60-0150	10,52	700
38/17-ES-A4-PKF-0150	150	7,0	3817-04-60-0150	14,11	700

Other short pieces on request.

PEC Cast-in Channel TA-CE-40/22 hot-rolled

With profiled foam filler (PKF) and stainless steel strap
All Cast-in Channels will be delivered with End Caps.

European Technical Assessment ETA-16/0929

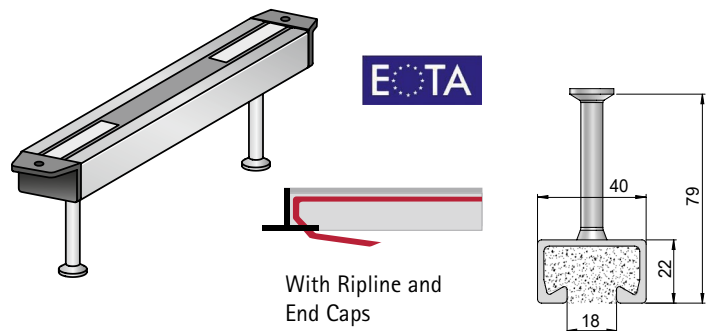
Packing Unit

For L = 3.050: 1 bundle = 70 pcs. = 214 m

For L = 6.070: 1 bundle = 70 pcs. = 425 m

Standard surcharge for fixed length: 10 % on cuttable lengths

Special surcharge for fixed length: 20 %



With Ripline and
End Caps

Hot-dip galvanized (FV)					
Description PEC-TA-CE-	Length (mm)	Anchors	Article No. 003-4022-	Price €/Unit	VPE Piece
40/22-FV-PKF-0150	150	2	02-33-0150	13,43	80
40/22-FV-PKF-0200	200	2	02-33-0200	14,97	50
40/22-FV-PKF-0250	250	2	02-33-0250	16,33	50
40/22-FV-PKF-0300	300	2	02-33-0300	17,82	40
40/22-FV-PKF-0350	350	3	02-33-0350	23,01	25
40/22-FV-PKF-0400	400	3	02-33-0400	24,50	70
40/22-FV-PKF-0550	550	3	02-33-0550	28,67	70
40/22-FV-PKF-0800	800	4	02-33-0800	39,60	70
40/22-FV-PKF-1050	1.050	5	02-33-1050	50,19	70
40/22-FV-PKF-1300	1.300	6	02-33-1300	60,39	70
40/22-FV-PKF-1550	1.550	7	02-33-1550	71,16	70
40/22-FV-PKF-1800	1.800	8	02-33-1800	81,75	70
40/22-FV-PKF-2050	2.050	9	02-33-2050	92,47	70
40/22-FV-PKF-2300	2.300	10	02-33-2300	103,08	70
40/22-FV-PKF-3050	3.050	13	02-33-3050	134,90	70
40/22-FV-PKF-6070	6.070	25	02-33-6070	257,75	70

I-Anchors and other short pieces L < 1.050 mm: On request

Meter price based on 6.070 mm channel: 42,46 Euro / meter

Stainless Steel 1.4571/1.4401 (A4)					
Description PEC-TA-CE-	Length (mm)	Anchors	Article No. 004-4022-	Price €/Unit	VPE Piece
40/22-A4-PKF-0150	150	2	04-33-0150	41,54	80
40/22-A4-PKF-0200	200	2	04-33-0200	49,58	50
40/22-A4-PKF-0250	250	2	04-33-0250	58,35	50
40/22-A4-PKF-0300	300	2	04-33-0300	67,65	40
40/22-A4-PKF-0350	350	3	04-33-0350	81,41	25
40/22-A4-PKF-0400	400	3	04-33-0400	90,46	70
40/22-A4-PKF-0550	550	3	04-33-0550	117,10	70
40/22-A4-PKF-0800	800	4	04-33-0800	160,74	70
40/22-A4-PKF-1050	1.050	5	04-33-1050	216,06	70
40/22-A4-PKF-3050	3.050	13	04-33-3050	598,71	70
40/22-A4-PKF-6070	6.070	25	04-33-6070	1189,53	70

Other short pieces L < 1.050 mm: On request

Meter price based on 6.070 mm channel: 195,97 Euro / meter

PEC Cast-in Channel TA-CE-50/30 hot-rolled

With profiled foam filler (PKF) and PEC Ripline
All Cast-in Channels will be delivered with End Caps.

European Technical Assessment ETA-16/0929

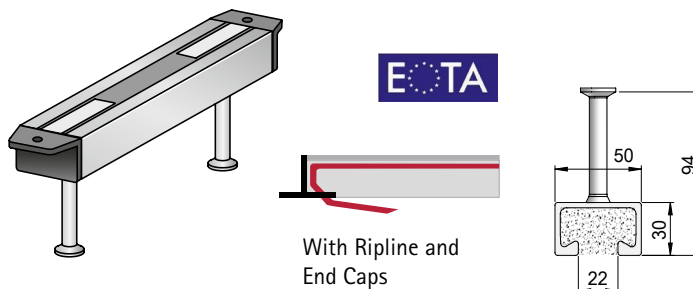
Packing Unit

For L = 3.050: 1 bundle = 54 pcs. = 165 m

For L = 6.070: 1 bundle = 54 pcs. = 328 m

Standard surcharge for fixed length: 10 % on cuttable lengths

Special surcharge for fixed length: 20 %



Hot-dip galvanized (FV)

Description PEC-TA-CE-	Length (mm)	Anchors	Article No. 003-5030-	Price €/Unit	VPE Piece
50/30-FV-PKF-0150	150	2	02-33-0150	18,14	40
50/30-FV-PKF-0200	200	2	02-33-0200	20,39	30
50/30-FV-PKF-0250	250	2	02-33-0250	22,39	25
50/30-FV-PKF-0300	300	2	02-33-0300	24,68	25
50/30-FV-PKF-0350	350	3	02-33-0350	30,82	15
50/30-FV-PKF-0400	400	3	02-33-0400	33,04	54
50/30-FV-PKF-0550	550	3	02-33-0550	39,66	54
50/30-FV-PKF-0800	800	4	02-33-0800	54,78	54
50/30-FV-PKF-1050	1.050	5	02-33-1050	69,96	54
50/30-FV-PKF-3050	3.050	13	02-33-3050	183,55	54
50/30-FV-PKF-6070	6.070	25	02-33-6070	353,40	54

I-Anchors and other short pieces L < 1.050 mm: On request

Meter price based on 6.070 mm channel: 58,22 Euro / meter

Stainless steel 1.4571/1.4401 (A4)

Description PEC-TA-CE-	Length (mm)	Anchors	Article No. 004-5030-	Price €/Unit	VPE Piece
50/30-A4-PKF-0150	150	2	04-33-0150	58,35	40
50/30-A4-PKF-0200	200	2	04-33-0200	72,12	30
50/30-A4-PKF-0250	250	2	04-33-0250	85,80	25
50/30-A4-PKF-0300	300	2	04-33-0300	99,63	25
50/30-A4-PKF-0350	350	3	04-33-0350	119,39	15
50/30-A4-PKF-0400	400	3	04-33-0400	133,02	54
50/30-A4-PKF-0550	550	3	04-33-0550	173,63	54
50/30-A4-PKF-0800	800	4	04-33-0800	250,74	54
50/30-A4-PKF-1050	1.050	5	04-33-1050	322,17	54
50/30-A4-PKF-3050	3.050	13	04-33-3050	923,40	54
50/30-A4-PKF-6070	6.070	25	04-33-6070	1777,86	54

Other short pieces L < 1.050 mm: On request

Meter price based on 6.070 mm channel: 292,89 Euro / meter

PEC Cast-in Channel TA-CE-52/34 hot-rolled

With profiled foam filler (PKF) and PEC Ripline
All Cast-in Channels will be delivered with End Caps.

European Technical Assessment ETA-16/0929

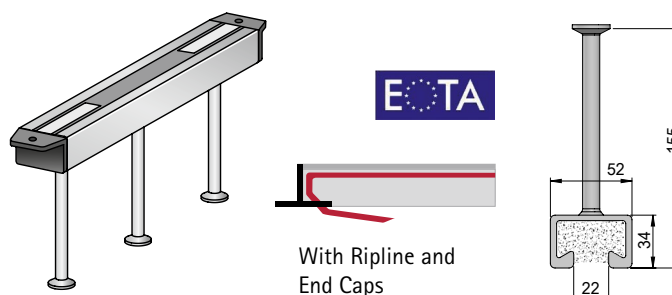
Packing Unit

For L = 3.050: 1 bundle = 27 pcs. = 82 m

For L = 6.070: 1 bundle = 27 pcs. = 164 m

Standard surcharge for fixed length: 10 % on cuttable lengths

Special surcharge for fixed length: 20 %



Hot-dip galvanized (FV)

Description PEC-TA-CE-	Length (mm)	Anchors	Article No. 003-5234-	Price €/Unit	VPE Piece
52/34-FV-PKF-0150*	150	2	03-33-0150	25,77	25
52/34-FV-PKF-0200	200	2	03-33-0200	29,07	20
52/34-FV-PKF-0250	250	2	03-33-0250	32,58	15
52/34-FV-PKF-0300	300	2	03-33-0300	35,83	15
52/34-FV-PKF-0350	350	3	03-33-0350	45,39	10
52/34-FV-PKF-0400	400	3	03-33-0400	48,77	27
52/34-FV-PKF-0550	550	3	03-33-0550	60,30	27
52/34-FV-PKF-0800	800	4	03-33-0800	84,46	27
52/34-FV-PKF-1050	1.050	5	03-33-1050	108,06	27
52/34-FV-PKF-3050	3.050	13	03-33-3050	297,64	27
52/34-FV-PKF-6070	6.070	25	03-33-6070	584,17	27

I-Anchors and other short pieces L < 1.050 mm: On request

Meter price based on 6.070 mm channel: 96,24 Euro / meter

*Special length outside ETA

Stainless steel 1.4571/1.4401 (A4)

Description PEC-TA-CE-	Length (mm)	Anchors	Article No. 004-5234-	Price €/Unit	VPE Piece
52/34-A4-PKF-0150*	150	2	04-33-0150	82,49	25
52/34-A4-PKF-0200	200	2	04-33-0200	100,24	20
52/34-A4-PKF-0250	250	2	04-33-0250	117,92	15
52/34-A4-PKF-0300	300	2	04-33-0300	135,39	15
52/34-A4-PKF-0350	350	3	04-33-0350	155,82	10
52/34-A4-PKF-0400	400	3	04-33-0400	159,64	27
52/34-A4-PKF-0550	550	3	04-33-0550	218,97	27
52/34-A4-PKF-0800	800	4	04-33-0800	329,31	27
52/34-A4-PKF-1050	1.050	5	04-33-1050	427,80	27
52/34-A4-PKF-3050	3.050	13	04-33-3050	1214,21	27
52/34-A4-PKF-6070	6.070	25	04-33-6070	2416,46	27

Other short pieces L < 1.050 mm: On request

Meter price based on 6.070 mm channel: 398,10 Euro / meter

*Special length outside ETA

PEC Cast-in Channel TA-CE-40/22-P hot-rolled

With profiled foam filler (PKF) and PEC Ripline
All Cast-in Channels will be delivered with End Caps.

European Technical Assessment ETA-16/0929

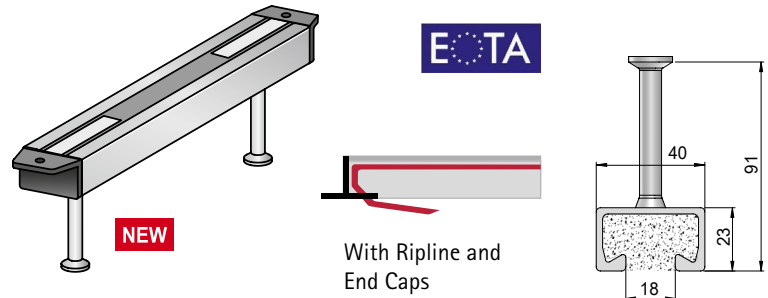
Packing Unit

For L = 3.050: 1 bundle = 70 pcs. = 214 m

For L = 6.070: 1 bundle = 70 pcs. = 425 m

Standard surcharge for fixed length: 10 % on cuttable lengths

Special surcharge for fixed length: 20 %



Hot-dip galvanized (FV)

Description PEC-TA-CE-	Length (mm)	Anchors	Article No. 0031-4022-	Price €/Unit	VPE Piece
40/22-P-FV-PKF-0150	150	2	02-33-0150	15,30	80
40/22-P-FV-PKF-0200	200	2	02-33-0200	17,05	50
40/22-P-FV-PKF-0250	250	2	02-33-0250	18,63	50
40/22-P-FV-PKF-0300	300	2	02-33-0300	20,30	40
40/22-P-FV-PKF-0350	350	3	02-33-0350	26,23	25
40/22-P-FV-PKF-0400	400	3	02-33-0400	27,92	70
40/22-P-FV-PKF-0550	550	3	02-33-0550	32,67	70
40/22-P-FV-PKF-0800	800	4	02-33-0800	45,16	70
40/22-P-FV-PKF-1050	1.050	5	02-33-1050	57,21	70
40/22-P-FV-PKF-1300	1.300	6	02-33-1300	68,84	70
40/22-P-FV-PKF-1550	1.550	7	02-33-1550	81,12	70
40/22-P-FV-PKF-1800	1.800	8	02-33-1800	93,18	70
40/22-P-FV-PKF-2050	2.050	9	02-33-2050	105,44	70
40/22-P-FV-PKF-2300	2.300	10	02-33-2300	117,52	70
40/22-P-FV-PKF-3050	3.050	13	02-33-3050	153,79	70
40/22-P-FV-PKF-6070	6.070	25	02-33-6070	293,84	70

I-Anchors and other short pieces L < 1.050 mm: On request

Meter price based on 6.070 mm channel: 48,41 Euro / meter

Stainless steel 1.4571/1.4401 (A4)

Description PEC-TA-CE-	Length (mm)	Anchors	Article No. 0041-4022-	Price €/Unit	VPE Piece
40/22-P-A4-PKF-0150	150	2	04-33-0150	47,37	80
40/22-P-A4-PKF-0200	200	2	04-33-0200	56,53	50
40/22-P-A4-PKF-0250	250	2	04-33-0250	66,52	50
40/22-P-A4-PKF-0300	300	2	04-33-0300	77,14	40
40/22-P-A4-PKF-0350	350	3	04-33-0350	92,82	25
40/22-P-A4-PKF-0400	400	3	04-33-0400	103,11	70
40/22-P-A4-PKF-0550	550	3	04-33-0550	133,50	70
40/22-P-A4-PKF-0800	800	4	04-33-0800	183,25	70
40/22-P-A4-PKF-1050	1.050	5	04-33-1050	246,31	70
40/22-P-A4-PKF-3050	3.050	13	04-33-3050	682,53	70
40/22-P-A4-PKF-6070	6.070	25	04-33-6070	1356,06	70

Other short pieces L < 1.050 mm: On request

Meter price based on 6.070 mm channel: 223,40 Euro / meter

PEC Cast-in Channel TA-CE-50/30-P hot-rolled

With profiled foam filler (PKF) and PEC Ripline
All Cast-in Channels will be delivered with End Caps.

European Technical Assessment ETA-16/0929

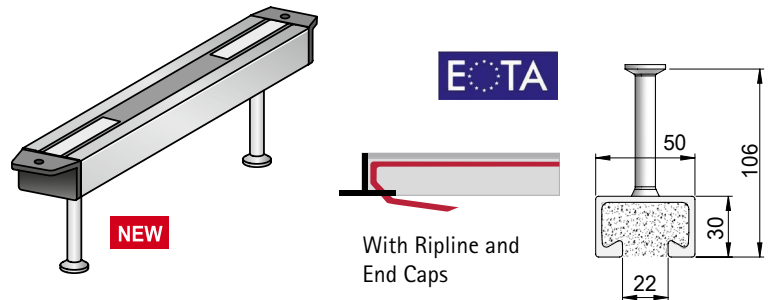
Packing Unit

For L = 3.050: 1 bundle = 54 pcs. = 165 m

For L = 6.070: 1 bundle = 54 pcs. = 328 m

Standard surcharge for fixed length: 10 % on cuttable lengths

Special surcharge for fixed length: 20 %



Hot-dip galvanized (FV)					
Description PEC-TA-CE-	Length (mm)	Anchors	Article No. 0031-5030-	Price €/Unit	VPE Piece
50/30-P-FV-PKF-0150	150	2	02-33-0150	20,69	40
50/30-P-FV-PKF-0200	200	2	02-33-0200	23,24	30
50/30-P-FV-PKF-0250	250	2	02-33-0250	25,52	25
50/30-P-FV-PKF-0300	300	2	02-33-0300	28,13	25
50/30-P-FV-PKF-0350	350	3	02-33-0350	35,12	15
50/30-P-FV-PKF-0400	400	3	02-33-0400	37,68	54
50/30-P-FV-PKF-0550	550	3	02-33-0550	45,21	54
50/30-P-FV-PKF-0800	800	4	02-33-0800	62,45	54
50/30-P-FV-PKF-1050	1.050	5	02-33-1050	79,75	54
50/30-P-FV-PKF-1550	1.550	7	02-33-1050	102,88	54
50/30-P-FV-PKF-3050	3.050	13	02-33-3050	209,23	54
50/30-P-FV-PKF-6070	6.070	25	02-33-6070	402,87	54

I-Anchors and other short pieces L < 1.050 mm: On request

Meter price based on 6.070 mm channel: 66,37 Euro / meter

Stainless steel 1.4571/1.4401 (A4)					
Description PEC-TA-CE-	Length (mm)	Anchors	Article No. 0041-5030-	Price €/Unit	VPE Piece
50/30-P-A4-PKF-0150	150	2	04-33-0150	66,52	40
50/30-P-A4-PKF-0200	200	2	04-33-0200	82,20	30
50/30-P-A4-PKF-0250	250	2	04-33-0250	97,81	25
50/30-P-A4-PKF-0300	300	2	04-33-0300	113,57	25
50/30-P-A4-PKF-0350	350	3	04-33-0350	136,11	15
50/30-P-A4-PKF-0400	400	3	04-33-0400	151,65	54
50/30-P-A4-PKF-0550	550	3	04-33-0550	197,93	54
50/30-P-A4-PKF-0800	800	4	04-33-0800	285,83	54
50/30-P-A4-PKF-1050	1.050	5	04-33-1050	367,27	54
50/30-P-A4-PKF-3050	3.050	13	04-33-3050	1052,67	54
50/30-P-A4-PKF-6070	6.070	25	04-33-6070	2026,77	54

Other short pieces L < 1.050 mm: On request

Meter price based on 6.070 mm channel: 333,90 Euro / meter

PEC Cast-in Channel TU 60/22/3

With Styrofoam Filling (SF)

German National Approval Z-21.4-1886

Packing Unit

For L = 3.000: 1 bundle = 80 pcs. = 240 m

Deutsches
Institut
für
Bautechnik

DIBt

Hot-dip galvanized (FV)

Description	Length (mm)	Anchors	Article No. 007-6022-	Price €/Unit
PEC-TU-60/22/3-A2-FV-SF	3.000	8	02-70-3000	81,75
PEC-TU-60/22/3-A3-FV-SF	3.000	20	02-71-3000	114,72
PEC-TU-60/22/3-B2-FV-SF	3.000	8	02-72-3000	81,75
PEC-TU-60/22/3-B3-FV-SF	3.000	20	02-73-3000	114,72
PEC-TU-60/22/3-C2-FV-SF	3.000	8	02-74-3000	81,75
PEC-TU-60/22/3-C3-FV-SF	3.000	20	02-75-3000	114,72

Special lengths on request

Stainless steel (A4)

Description	Length (mm)	Anchor Pairs	Article No. 007-6022-	Price €/Unit
PEC-TU-60/22/3-A2-A4-SF *	3.000	8	04-70-3000	On request
PEC-TU-60/22/3-A3-A4-SF *	3.000	20	04-71-3000	On request
PEC-TU-60/22/3-B2-A4-SF *	3.000	8	04-72-3000	On request
PEC-TU-60/22/3-B3-A4-SF *	3.000	20	04-73-3000	On request
PEC-TU-60/22/3-C2-A4-SF *	3.000	8	04-74-3000	On request
PEC-TU-60/22/3-C3-A4-SF *	3.000	20	04-75-3000	On request

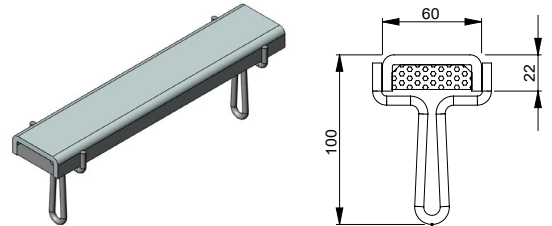
*without approval

Prime-coated version (GR)

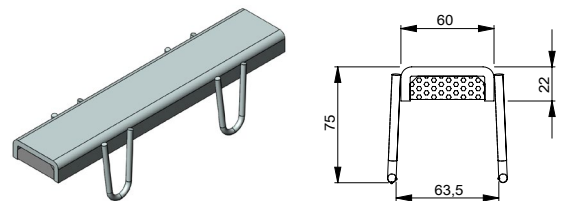
Description	Length (mm)	Anchor Pairs	Article No. 007-6022-	Price €/Unit
PEC-TU-60/22/3-A2-GR-SF *	3.000	8	06-70-3000	On request
PEC-TU-60/22/3-A3-GR-SF *	3.000	20	06-71-3000	On request
PEC-TU-60/22/3-B2-GR-SF *	3.000	8	06-72-3000	On request
PEC-TU-60/22/3-B3-GR-SF *	3.000	20	06-73-3000	On request
PEC-TU-60/22/3-C2-GR-SF *	3.000	8	06-74-3000	On request
PEC-TU-60/22/3-C3-GR-SF *	3.000	20	06-75-3000	On request

*without approval

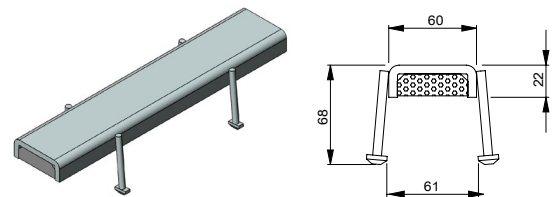
Type A



Type B



Type C



Type 2

a = 45/15/45 cm



Type 3

a = 15 cm



a = Anchor spacing

PEC Cast-in Channel TU 60/22/6

With Styrofoam Filling (SF)

Packing Unit

For L = 3.000: 1 bundle = 80 pcs. = 240 m

Deutsches
Institut
für
Bautechnik

DIBt

Hot-dip galvanized (FV)				
Description	Length (mm)	Anchors	Article No. 007-6022-	Price €/Unit
PEC-TU-60/22/6-A2-FV-SF *	3.000	8	02-50-3000	131,87
PEC-TU-60/22/6-A3-FV-SF *	3.000	20	02-51-3000	166,56
PEC-TU-60/22/6-B2-FV-SF *	3.000	8	02-52-3000	131,87
PEC-TU-60/22/6-B3-FV-SF *	3.000	20	02-53-3000	166,56
PEC-TU-60/22/6-C2-FV-SF *	3.000	8	02-54-3000	131,87
PEC-TU-60/22/6-C3-FV-SF *	3.000	20	02-55-3000	166,56

*without approval

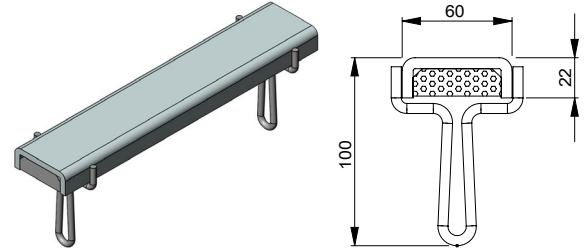
Stainless steel (A4)				
Description	Length (mm)	Anchor Pairs	Article No. 007-6022-	Price €/Unit
PEC-TU-60/22/6-A2-A4-SF-SF *	3.000	8	04-50-3000	On request
PEC-TU-60/22/6-A3-A4-SF-SF *	3.000	20	04-51-3000	On request

*without approval

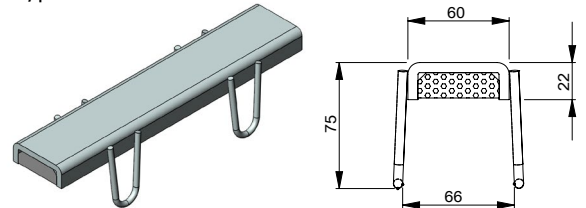
Prime-coated version (GR)				
Description	Length (mm)	Anchor Pairs	Article No. 007-6022-	Price €/Unit
PEC-TU-60/22/6-A2-GR-SF *	3.000	8	06-50-3000	On request
PEC-TU-60/22/6-B2-GR-SF *	3.000	8	06-52-3000	On request
PEC-TU-60/22/6-C2-GR-SF *	3.000	8	06-54-3000	On request

*without approval

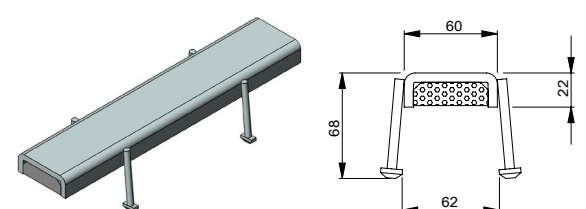
Type A



Type B

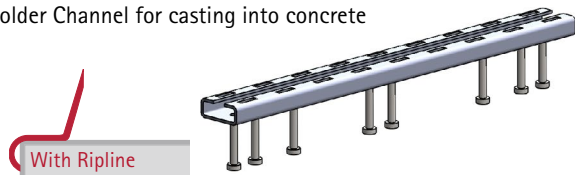


Type C



PEC Cable Holder Channel KHB

Cable Holder Channel for casting into concrete



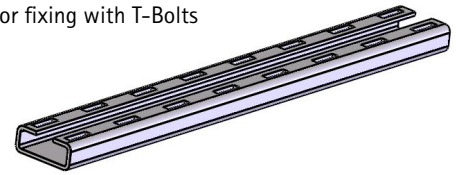
Hot-dip galvanized (FV)

Description	Length (mm)	Anchors	Article No. 009-7028-	Price €/Unit
PEC-KHB-70/28-FV	670	7	02-00-0670	142,71
PEC-KHB-70/28-FV	820	8	02-00-0820	172,74
PEC-KHB-70/28-FV	970	9	02-00-0970	177,31
PEC-KHB-70/28-FV	1.120	10	02-00-1120	203,72
PEC-KHB-70/28-FV	1.270	11	02-00-1270	229,97
PEC-KHB-70/28-FV	1.345	12	02-00-1345	246,09
PEC-KHB-70/28-FV	1.645	14	02-00-1645	297,10
PEC-KHB-70/28-FV	1.945	16	02-00-1945	349,62
PEC-KHB-70/28-FV	2.245	18	02-00-2245	402,15
PEC-KHB-70/28-FV	2.545	20	02-00-2545	454,68

Special lengths and material on request

PEC Cable Holder Channel KHM

Cable Holder Channel for fixing with T-Bolts



Hot-dip galvanized (FV)

Description	Length (mm)	Anchors	Article No. 075-7028-	Price €/Unit
PEC-KHM-70/28-FV	1.400	-	02-00-1400	173,41
PEC-KHM-70/28-FV	1.700	-	02-00-1700	210,53
PEC-KHM-70/28-FV	2.000	-	02-00-2000	247,77
PEC-KHM-70/28-FV	2.300	-	02-00-2300	284,88
PEC-KHM-70/28-FV	2.600	-	02-00-2600	322,10

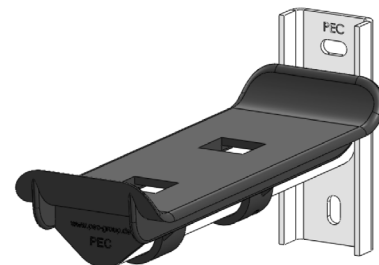
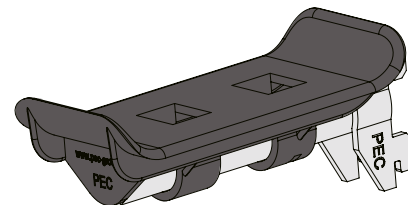
Special lengths and material on request

PEC Cable Holder Channel Accessories

Cable Holder Brackets

Hot-dip galvanized (FV) / plastic

Description	Length (mm)	(PU) Unit	Article No. 076-0020-	Price €/Unit
Hook-in Brackets				
PEC-KKH-20-FV	210	1	02-00-0210	43,92
PEC-KKH-30-FV	310	1	02-00-0310	57,68
PEC-KKH-40-FV	420	1	02-00-0420	72,82
PEC-KKH-60-FV	600	1	02-00-0600	86,44
End Caps				
PEC-KHE-70/28-plastic	-	100	076-7028-09-00-0000	208,43
Cable Holder Brackets for fixing with T-Bolts				
PEC-KWB-20-FV	210	1	076-0020-02-05-0210	55,45
PEC-KWB-30-FV	310	1	076-0020-02-05-0310	69,20
PEC-KWB-40-FV	420	1	076-0020-02-05-0420	84,34
PEC-KWB-60-FV	600	1	076-0020-02-05-0600	96,72

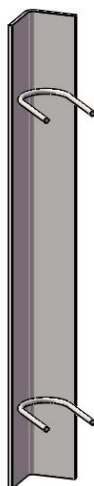


Fixing material for Cable Holder Channel Type PEC-KHM

Hilti-HST-M12 acc. to ETA-98/0001 for installing in concrete.
 Min. concrete grade C 20/25.
 Connection anchor M12 for concrete and brick wall $h_{ef} \geq 90\text{mm}$.
 1 anchor per meter as a minimum, 2 anchors at least per channel.

PEC Corner Guards

Description	Article No. 010-	Price €/Unit
PEC-KW-50/5-FV (hot-dip galvanized)		
KW-50/5-FV-500	5005-02-00-0500	43,37
KW-50/5-FV-750	5005-02-00-0750	52,14
KW-50/5-FV-1000	5005-02-00-1000	69,62
KW-50/5-FV-1500	5005-02-00-1500	85,88
KW-50/5-FV-2000	5005-02-00-2000	110,29
PEC-KW-80/6-FV (hot-dip galvanized)		
KW-80/6-FV-500	8006-02-00-0500	57,00
KW-80/6-FV-750	8006-02-00-0750	74,55
KW-80/6-FV-1000	8006-02-00-1000	99,31
KW-80/6-FV-1500	8006-02-00-1500	129,64
KW-80/6-FV-2000	8006-02-00-2000	166,68
PEC-KW-100/8-FV (hot-dip galvanized)		
KW-100/8-FV-500	1008-02-00-0500	76,70
KW-100/8-FV-750	1008-02-00-0750	104,98
KW-100/8-FV-1000	1008-02-00-1000	142,41
KW-100/8-FV-1500	1008-02-00-1500	189,90
KW-100/8-FV-2000	1008-02-00-2000	246,54



Description	Article No. 010-	Price €/Unit
PEC-KW-50/5-A2 (Stainless steel A2)		
KW-50/5-A2-500	5005-05-00-0500	105,84
KW-50/5-A2-750	5005-05-00-0750	131,60
KW-50/5-A2-1000	5005-05-00-1000	177,21
KW-50/5-A2-1500	5005-05-00-1500	226,58
KW-50/5-A2-2000	5005-05-00-2000	295,06
PEC-KW-80/6-A2 (Stainless steel A2)		
KW-80/6-A2-500	8006-05-00-0500	151,02
KW-80/6-A2-750	8006-05-00-0750	201,89
KW-80/6-A2-1000	8006-05-00-1000	269,89
KW-80/6-A2-1500	8006-05-00-1500	364,33
KW-80/6-A2-2000	8006-05-00-2000	476,98
PEC-KW-100/8-A2 (Stainless steel A2)		
KW-100/8-A2-500	1008-05-00-0500	213,98
KW-100/8-A2-750	1008-05-00-0750	298,08
KW-100/8-A2-1000	1008-05-00-1000	401,91
KW-100/8-A2-1500	1008-05-00-1500	556,64
KW-100/8-A2-2000	1008-05-00-2000	729,87

PEC Toothed Straps VL 28/15

Fits Profile 28/15 including toothed counter plate

Galvanized steel (GV)				
Description	Length (mm)	(PU) Unit	Article No. 040-2815-	Price €/Unit
PEC-VL-28/15-GV-75	75	100	03-00-0075	11,28
PEC-VL-28/15-GV-100	100	100	03-00-0100	11,33
PEC-VL-28/15-GV-125	125	100	03-00-0125	11,39
PEC-VL-28/15-GV-150	150	100	03-00-0150	12,14
PEC-VL-28/15-GV-175	175	100	03-00-0175	12,29
PEC-VL-28/15-GV-200	200	100	03-00-0200	12,35

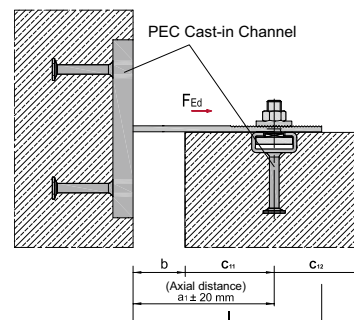
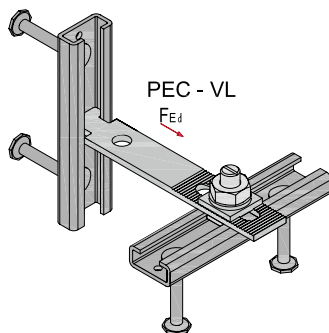
Stainless steel A4-50				
Description	Length (mm)	(PU) Unit	Article No. 040-2815-	Price €/Unit
PEC-VL-28/15-A4-75	75	100	04-00-0075	20,23
PEC-VL-28/15-A4-100	100	100	04-00-0100	20,84
PEC-VL-28/15-A4-125	125	100	04-00-0125	21,58
PEC-VL-28/15-A4-150	150	100	04-00-0150	22,12
PEC-VL-28/15-A4-175	175	100	04-00-0175	22,94
PEC-VL-28/15-A4-200	200	100	04-00-0200	23,40

PEC Toothed Straps VL 38/17

Fits Profile 38/17 including toothed counter plate

Galvanized steel (GV)				
Description	Length (mm)	(PU) Unit	Article No. 040-3817-	Price €/Unit
PEC-VL-38/17-GV-75	75	100	03-00-0075	12,96
PEC-VL-38/17-GV-100	100	100	03-00-0100	13,15
PEC-VL-38/17-GV-125	125	100	03-00-0125	13,29
PEC-VL-38/17-GV-150	150	100	03-00-0150	13,49
PEC-VL-38/17-GV-175	175	100	03-00-0175	13,69
PEC-VL-38/17-GV-200	200	100	03-00-0200	13,77

Stainless steel A4-50				
Description	Length (mm)	(PU) Unit	Article No. 040-3817-	Price €/Unit
PEC-VL-38/17-A4-75	75	100	04-00-0075	23,95
PEC-VL-38/17-A4-100	100	100	04-00-0100	24,82
PEC-VL-38/17-A4-125	125	100	04-00-0125	26,10
PEC-VL-38/17-A4-150	150	100	04-00-0150	26,79
PEC-VL-38/17-A4-175	175	100	04-00-0175	27,80
PEC-VL-38/17-A4-200	200 <td 100	04-00-0200	28,67	

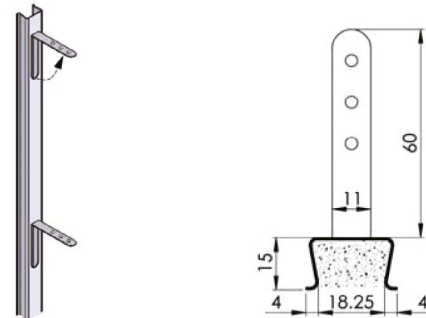


PEC Brick-Tie-Channel MS 25/15-D

PEC Brick-Tie-Channel with lug anchors and profiled foam filler (PKF)

Packing Unit

For L = 2.500: 1 bundle = 40 pcs. = 100 m



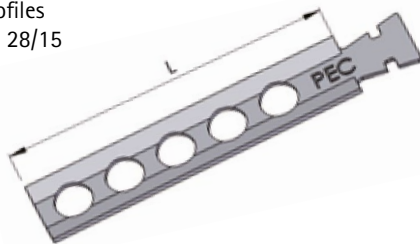
Sendzimir plated (SV)				
Description	Length (mm)	Anchors	Article No. 008-2515-	Price €/Unit
PEC-MS-25/15-D-SV-PKF	2.500	10	07-00-2500	15,70

Customized solutions on request

Stainless steel 1.4571/1.4401 (A4)				
Description	Length (mm)	Anchors	Article No. 008-2515-	Price €/Unit
PEC-MS-25/15-D-A4-PKF	2.500	10	04-00-2500	69,47

PEC Brick-Tie-Anchor ML

Fits into the standard profiles of dimensions 25/15 and 28/15

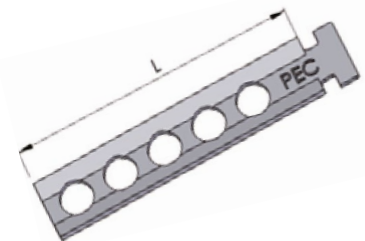


Hot-dip galvanized (FV)				
Description	L (mm)	(PU) Unit	Article No. 520-2815-	Price/€ 100 Unit
PEC-ML-85-FV	85	100	02-00-0085	97,81
PEC-ML-120-FV	120	100	02-00-0120	112,05
PEC-ML-180-FV	180	100	02-00-0180	158,18

Stainless steel (A4)				
Description	L (mm)	(PU) Unit	Article No. 04-00-0120	Price/€ 100 Unit
PEC-ML-120-A4	120	100	04-00-0120	547,74
PEC-ML-180-A4	180	100	04-00-0180	674,71

PEC Brick-Tie-Anchor BL

Fits into the standard profile of dimension 38/17

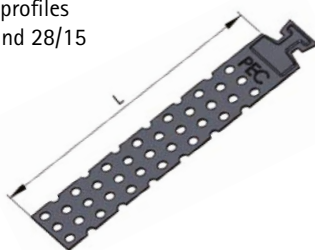


Hot-dip galvanized (FV)				
Description	L (mm)	(PU) Unit	Article No. 520-3817-	Price/€ 100 Unit
PEC-BL-85-FV	85	100	02-00-0085	117,31
PEC-BL-120-FV	120	100	02-00-0120	142,07
PEC-BL-180-FV	180	100	02-00-0180	190,24

Stainless steel (A4)				
Description	L (mm)	(PU) Unit	Article No. 04-00-0120	Price/€ 100 Unit
PEC-BL-120-A4	120	100	04-00-0120	616,90
PEC-BL-180-A4	180	100	04-00-0180	727,71

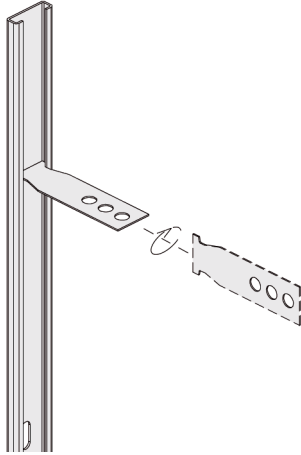
PEC thin-bed mortar Anchor PB

Fits into the standard profiles of dimensions 25/15 and 28/15



Stainless steel (A4)				
Description	L (mm)	(PU) Unit	Article No. 520-0015-	Price/€ 100 Unit
PEC-PB-120	120	100	05-00-0120	133,39
PEC-PB-150	150	100	05-00-0150	195,93
PEC-PB-180	180	100	05-00-0180	218,17
PEC-PB-240	240	100	05-00-0240	290,42

PEC-TEC Brick-Tie-System



The PEC-TEC Connection System is the ideal product to quickly, reliably and securely connect walls without complicated tools.

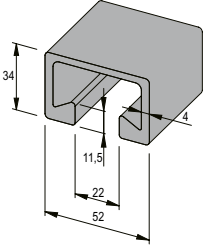
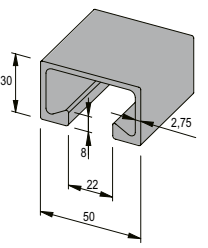
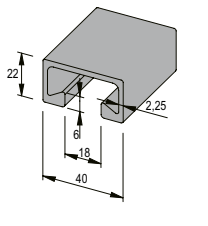
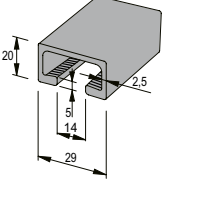
- The system is very well suited to connect two brick walls or masonry walls with concrete walls.
- Connection possible for masonry to various substrates
- The flexible universal anchor prevents settlement cracks in the masonry

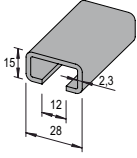
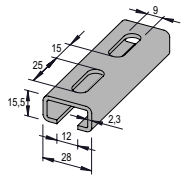
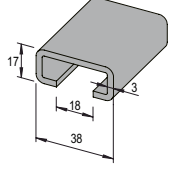
Installation Accessories

The required installation accessories are delivered in a separate package for the use of 5-meter brick tie channels. The installation accessories packet contains 20 brick tie anchors, 12 plastic anchors, 12 galvanized screws and washers with assembly instructions.

PEC-TEC Brick Tie Anchor Systems

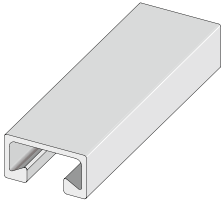
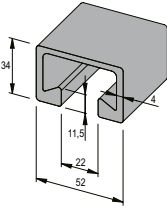
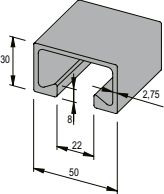
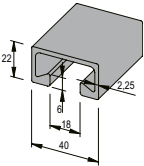
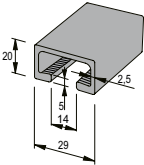
Sendzimir galvanized (SV)				
Description	L (mm)	(PU) Unit	Article No. 008-3510-	Price €/Unit
PEC-TEC-MS-35/10-SV	1.250	1	07-00-1250	8,51
PEC-TEC-MON		1	00-00-0000	26,66
PEC-TEC-Anchor		100	03-00-0000	49,75

Framing Channel hot-rolled (suitable for welding and screwing)			
PEC-M-CE-52/34	PEC-M-CE-50/30	PEC-M-CE-40/22	PEC-MZ-CE-29/20
			
WB, FV, A4	WB, FV, A4	WB, FV, A4	WB, FV

Framing Channel cold-rolled (suitable for welding and screwing)		
PEC-M-28/15	PEC-L-28/15 (perforated)	PEC-M-38/17
		
WB, FV, A4	FV	WB, FV, A4

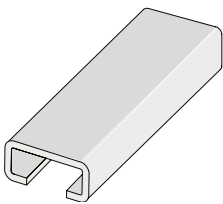
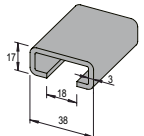
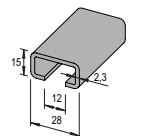
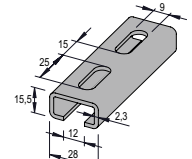
Material and surface finishes:

- WB Steel S235 JR - 1.0038 (St 37-2), rollblank
- FV Steel S235 JR - 1.0038 (St 37-2), hot-dip galvanized
- A4 Stainless steel A4 1.4362 / 1.4401 / 1.4404 / 1.4571

Framing Channel hot-rolled				
		Framing Channels hot-rolled Fixed lengths with surcharge. Other lengths and profile dimensions on request.		
Profile PEC-M-CE-52/34	Description	Article No.	Finish	Price € / Unit
	PEC-M-5234-WB-6070	182-5234-01-00-6070	Rollblank (WB)	258,89
	PEC-M-5234-FV-6070	182-5234-02-00-6070	Hot-dip galvanized (FV)	391,71
	PEC-M-5234-A4-6070	182-5234-04-00-6070	Stainless Steel (A4)	2258,77
Profile PEC-M-CE-50/30	Description	Article No.	Finish	Price € / Unit
	PEC-M-5030-WB-6070	182-5030-01-00-6070	Rollblank (WB)	173,90
	PEC-M-5030-FV-6070	182-5030-02-00-6070	Hot-dip galvanized (FV)	273,92
	PEC-M-5030-A4-6070	182-5030-04-00-6070	Stainless Steel (A4)	1753,86
Profile PEC-M-CE-40/22	Description	Article No.	Finish	Price € / Unit
	PEC-M-4022-WB-6070	182-4022-01-00-6070	Rollblank (WB)	117,51
	PEC-M-4022-FV-6070	182-4022-02-00-6070	Hot-dip galvanized (FV)	180,92
	PEC-M-4022-A4-6070	182-4022-04-00-6070	Stainless Steel (A4)	1038,83
Profile PEC-MZ-CE-29/20	Description	Article No.	Finish	Price € / Unit
	PEC-MZ-CE-29/20-WB-6070	182-2920-01-00-6070	Rollblank (WB)	117,51
	PEC-MZ-CE-29/20-FV-6070	182-2920-02-00-6070	Hot-dip galvanized (FV)	180,92

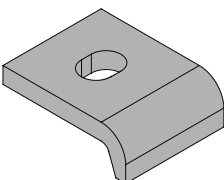
Material and surface finishes:

WB	Steel S235 JR - 1.0038 (St 37-2), rollblank
FV	Steel S235 JR - 1.0038 (St 37-2), hot-dip galvanized
A4	Stainless steel A4 1.4362 / 1.4401 / 1.4404 / 1.4571

Framing Channel cold-rolled				
		Framing Channels cold-rolled, suitable for welding and screwing. Fixed lengths with surcharge. Other lengths and profile dimensions on request.		
Profile PEC-M-38/17	Description	Article No.	Finish	Price € / Unit
	PEC-M-3817-WB-6070	180-3817-01-00-6070	Rollblank (WB)	45,17
	PEC-M-3817-FV-6070	180-3817-02-00-6070	Hot-dip galvanized (GV)	73,52
	PEC-M-3817-A4-6070	181-3817-04-00-6070	Stainless Steel (A4)	353,79
Profile PEC-M-28/15	Description	Article No.	Finish	Price € / Unit
	PEC-M-2815-WB-6070	180-2815-01-00-6070	Rollblank (WB)	27,92
	PEC-M-2815-FV-6070	180-2815-02-00-6070	Hot-dip galvanized (FV)	45,17
	PEC-M-2815-A4-6070	181-2815-04-00-6070	Stainless Steel (A4)	211,64
Profile PEC-L-28/15 Perforation 9 x 25	Description	Article No.	Finish	Price € / Unit
	PEC-L-2815-FV-6070	170-2815-02-00-6070	Hot-dip galvanized (FV)	50,87

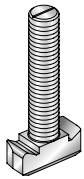
Material and surface finishes:

WB	Steel S235 JR - 1.0038 (St 37-2), rollblank
FV	Steel S235 JR - 1.0038 (St 37-2), hot-dip galvanized
A4	Stainless steel A4 1.4362 / 1.4401 / 1.4404 / 1.4571

Clamping plate (according to DIN 3568), hot dip galvanized steel				
KLP 60	Dimension	Clamping height [mm]	Article No.	Price € / 100 pcs.
			FV	FV
	KLP 60/10	10	101-KLP-02-00-6010	783,97
	KLP 60/12	12	101-KLP-02-00-6012	810,68
	KLP 60/14	14	101-KLP-02-00-6014	826,18
	KLP 60/16	16	101-KLP-02-00-6016	846,03
	KLP 60/18	18	101-KLP-02-00-6018	870,45
	KLP 60/20	20	101-KLP-02-00-6020	911,86

PEC Hook Head Bolts

Type PEC-HBC-50/30



Material: Steel, Hot-dip galvanized 8.8 or stainless steel A4-70.
Delivery incl. nuts.

For profiles PEC-TA-49/30, PEC-TA-50/30-P, PEC-TA-52/34, PEC-TA-54/33.



Type PEC-T 50/30 Hot-dip galvanized 8.8

Length [mm]	Article No. 5012-5030-				Price € / 100 pcs.			
PEC-HBC	M 10	M 12	M 16	M 20	M 10	M 12	M 16	M 20
30	73-10-0030	73-12-0030	73-16-0030	73-20-0030	-	-	-	-
40	73-10-0040	73-12-0040	73-16-0040	73-20-0040	-	392,28	-	-
50	73-10-0050	73-12-0050	73-16-0050	73-20-0050	-	414,71	506,47	-
60	73-10-0060	73-12-0060	73-16-0060	73-20-0060	-	440,27	530,71	707,89
70	73-10-0070	73-12-0070	73-16-0070	73-20-0070	-	-	-	-
80	73-10-0080	73-12-0080	73-16-0080	73-20-0080	-	483,57	649,41	853,90
90	73-10-0090	73-12-0090	73-16-0090	73-20-0090	-	-	-	-
100	73-10-0100	73-12-0100	73-16-0100	73-20-0100	-	604,74	768,85	890,42
125	73-10-0125	73-12-0125	73-16-0125	73-20-0125	-	-	961,97	-

Type PEC-HBC-50/30 Stainless steel A4-70

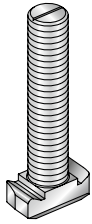
Length [mm]	Article No. 5022-5030-				Price € / 100 pcs.			
PEC-HBC	M 10	M 12	M 16	M 20	M 10	M 12	M 16	M 20
30	74-10-0030	74-12-0030	74-16-0030	74-20-0030	-	-	-	-
40	74-10-0040	74-12-0040	74-16-0040	74-20-0040	-	-	-	-
50	74-10-0050	74-12-0050	74-16-0050	74-20-0050	-	-	-	-
55	74-10-0055	74-12-0055	74-16-0055	74-20-0055	-	-	-	-
60	74-10-0060	74-12-0060	74-16-0060	74-20-0060	-	1487,47	2507,54	2712,06
70	74-10-0070	74-12-0070	74-16-0070	74-20-0070	-	-	-	-
80	74-10-0080	74-12-0080	74-16-0080	74-20-0080	-	1982,86	2987,13	3152,97
90	74-10-0090	74-12-0090	74-16-0090	74-20-0090	-	-	-	-
100	74-10-0100	74-12-0100	74-16-0100	74-20-0100	-	-	3433,11	3409,59
125	74-10-0125	74-12-0125	74-16-0125	74-20-0125	-	-	-	-

Prices for items marked with "-" on request.

Other materials, coatings and dimensions on request.

PEC Hook Head Bolts

Type PEC-HBC-40/22



Material: Steel, Hot-dip galvanized 8.8 or stainless steel A4-70.
Delivery incl. nuts.

For profiles PEC-TA-40/22, PEC-TA-40/22-P, PEC-TA-40/25.



Type PEC-HBC-40/22 Hot-dip galvanized 8.8

Length [mm]	Article No. 5012-4022-			Price € / 100 pcs.			
	PEC-HBC	M 10	M 12	M 16	M 10	M 12	M 16
30		73-10-0030	73-12-0030	73-16-0030	-	-	-
40		73-10-0040	73-12-0040	73-16-0040	-	-	-
50		73-10-0050	73-12-0050	73-16-0050	-	278,51	396,23
60		73-10-0060	73-12-0060	73-16-0060	-	295,08	402,50
70		73-10-0070	73-12-0070	73-16-0070	-	-	-
80		73-10-0080	73-12-0080	73-16-0080	-	359,47	506,70
90		73-10-0090	73-12-0090	73-16-0090	-	-	-
100		73-10-0100	73-12-0100	73-16-0100	-	-	575,97

Type PEC-HBC-40/22 Stainless steel A4-70

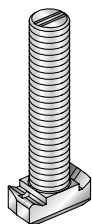
Length [mm]	Article No. 5022-4022-			Price € / 100 pcs.			
	PEC-HBC	M 10	M 12	M 16	M 10	M 12	M 16
30		74-10-0030	74-12-0030	74-16-0030	-	-	-
40		74-10-0040	74-12-0040	74-16-0040	-	-	-
50		74-10-0050	74-12-0050	74-16-0050	-	1274,95	1332,96
60		74-10-0060	74-12-0060	74-16-0060	-	-	-
70		74-10-0070	74-12-0070	74-16-0070	-	-	-
80		74-10-0080	74-12-0080	74-16-0080	-	1674,17	1814,19
90		74-10-0090	74-12-0090	74-16-0090	-	-	-
100		74-10-0100	74-12-0100	74-16-0100	-	-	2132,76

Prices for items marked with "-" on request.

Other materials, coatings and dimensions on request.

PEC Notched Bolts

Type PEC-HBC-N-50/30



Material: Steel, Hot-dip galvanized 8.8 or stainless steel A4-70.
Delivery incl. nuts.

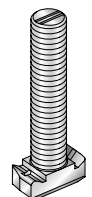
For profiles PEC-TA-50/30, PEC-TA-50/30-P, PEC-TA-52/34.

Type PEC-HBC-N-50/30 Hot-dip galvanized 8.8

Length [mm]	PEC-HBC	M 12	Article No. 5012-5030-			Price € / 100 pcs.	
			M 16	M 20	M 12	M 16	M 20
50	-	-	43-16-0050	-	-	667,62	-
60	-	-	43-16-0060	43-20-0060	-	699,62	932,48
80	-	-	43-16-0080	43-20-0080	-	923,81	1125,63

PEC Notched Bolts

Type PEC-HBC-N-40/22



Material: Steel, Hot-dip galvanized 8.8 or stainless steel A4-70.
Delivery incl. nuts.

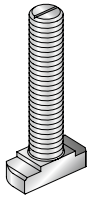
For profiles PEC-TA-40/22, PEC-TA-40/22-P.

Type PEC-HBC-N-40/22 Hot-dip galvanized 8.8

Length [mm]	PEC-HBC	M 10	Article No. 5012-4022-			Price € / 100 pcs.	
			M 12	M 16	M 10	M 12	M 16
50	-	-	-	43-16-0050	-	-	574,55
60	-	-	-	43-16-0060	-	-	583,64
80	-	-	-	43-16-0080	-	-	720,41

PEC Hook Head Bolts

Type PEC-HBC-38/17



Material: Steel, Hot-dip galvanized 8.8 or stainless steel A4-70.
Delivery incl. nuts.

For profiles PEC-TA-38/17.



Type PEC-HBC-38/17 Hot-dip galvanized 8.8

Length [mm]	Article No. 5012-3817-				Price € / 100 pcs.			
PEC-HBC	M 8	M 10	M 12	M 16	M 8	M 10	M 12	M 16
30	73-08-0030	73-10-0030	73-12-0030	73-16-0030	-	177,84	-	-
40	73-08-0040	73-10-0040	73-12-0040	73-16-0040	-	183,03	219,98	310,76
50	73-08-0050	73-10-0050	73-12-0050	73-16-0050	-	-	-	348,52
60	73-08-0060	73-10-0060	73-12-0060	73-16-0060	-	211,55	270,69	389,98
70	73-08-0070	73-10-0070	73-12-0070	73-16-0070	-	-	-	-
80	73-08-0080	73-10-0080	73-12-0080	73-16-0080	-	-	321,79	463,03
90	73-08-0090	73-10-0090	73-12-0090	73-16-0090	-	-	-	-
100	73-08-0100	73-10-0100	73-12-0100	73-16-0100	-	-	-	-

Type PEC-HBC-38/17 Stainless steel A4-70

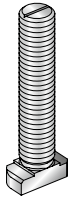
Length [mm]	Article No. 5022-3817-				Price € / 100 pcs.			
PEC-HBC	M 8	M 10	M 12	M 16	M 8	M 10	M 12	M 16
30	74-08-0030	74-10-0030	74-12-0030	74-16-0030	-	578,14	-	-
40	74-08-0040	74-10-0040	74-12-0040	74-16-0040	-	662,24	-	-
50	74-08-0050	74-10-0050	74-12-0050	74-16-0050	-	-	-	-
60	74-08-0060	74-10-0060	74-12-0060	74-16-0060	-	-	1033,28	1359,78
70	74-08-0070	74-10-0070	74-12-0070	74-16-0070	-	-	-	-
80	74-08-0080	74-10-0080	74-12-0080	74-16-0080	-	-	1275,52	-
95	74-08-0095	74-10-0095	74-12-0095	74-16-0095	-	-	-	-
100	74-08-0100	74-10-0100	74-12-0100	74-16-0100	-	-	-	-

Prices for items marked with "-" on request.

Other materials, coatings and dimensions on request.

PEC Hook Head Bolts

Type PEC-HBC-28/15



Material: Steel, Hot-dip galvanized 8.8 or stainless steel A4-70.
Delivery incl. nuts.

For profile PEC-TA-28/15.



Type PEC-HBC-28/15 Hot-dip galvanized 8.8

Length [mm]	Article No. 5012-2815-				Price € / 100 Unit			
PEC-HBC	M 6	M 8	M 10	M 12	M 6	M 8	M 10	M 12
30	73-06-0030	73-08-0030	73-10-0030	73-12-0030	-	-	105,28	-
40	73-06-0040	73-08-0040	73-10-0040	73-12-0040	-	-	118,24	208,76
50	73-06-0050	73-08-0050	73-10-0050	73-12-0050	-	-	-	-
60	73-06-0060	73-08-0060	73-10-0060	73-12-0060	-	-	140,10	232,74
70	73-06-0070	73-08-0070	73-10-0070	73-12-0070	-	-	-	-
80	73-06-0080	73-08-0080	73-10-0080	73-12-0080	-	-	-	279,09
90	73-06-0090	73-08-0090	73-10-0090	73-12-0090	-	-	-	-
100	73-06-0100	73-08-0100	73-10-0100	73-12-0100	-	-	-	-

Type PEC-HBC-28/15 Stainless steel A4-70

Length [mm]	Article No. 5022-2815-				Price € / 100 Unit			
PEC-HBC	M 6	M 8	M 10	M 12	M 6	M 8	M 10	M 12
30	74-06-0030	74-08-0030	74-10-0030	74-12-0030	-	-	398,15	-
40	74-06-0040	74-08-0040	74-10-0040	74-12-0040	-	-	-	-
50	74-06-0050	74-08-0050	74-10-0050	74-12-0050	-	-	-	-
60	74-06-0060	74-08-0060	74-10-0060	74-12-0060	-	-	-	-
70	74-06-0070	74-08-0070	74-10-0070	74-12-0070	-	-	-	-
80	74-06-0080	74-08-0080	74-10-0080	74-12-0080	-	-	-	-
95	74-06-0095	74-08-0095	74-10-0095	74-12-0095	-	-	-	-
100	74-06-0100	74-08-0100	74-10-0100	74-12-0100	-	-	-	-

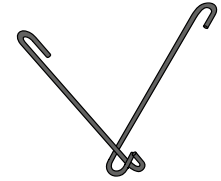
Prices for items marked with "-" on request.

Other materials, coatings and dimensions on request.

PEC Sandwich Panel Anchor SPA-1

Material

Stainless steel according Approval Z-21.8-2053
- A4: 1.4571 / 1.4401 / 1.4404
- D4: 1.4362 (Lean Duplex-Steel)



PEC SPA-1 – Steel bars Ø 5 mm

Description	Article No.	(PU) Unit	H	L	Price € / Unit
PEC-SPA-1-A4-05-140	401 01 04 05 140	on request	140	225	7,91
PEC-SPA-1-A4-05-160	401 01 04 05 160	100	160	265	8,57
PEC-SPA-1-A4-05-180	401 01 04 05 180	100	180	305	8,73
PEC-SPA-1-A4-05-200	401 01 04 05 200	100	200	345	9,02
PEC-SPA-1-A4-05-240	401 01 04 05 240	75	240	425	9,20

PEC SPA-1 – Steel bars Ø 6,5 mm

PEC-SPA-1-A4-07-160	401 01 04 07 160	80	160	260	11,46
PEC-SPA-1-A4-07-180	401 01 04 07 180	70	180	300	11,98
PEC-SPA-1-A4-07-200	401 01 04 07 200	65	200	340	12,58
PEC-SPA-1-A4-07-220	401 01 04 07 220	50	220	380	12,94
PEC-SPA-1-A4-07-240	401 01 04 07 240	45	240	420	13,54
PEC-SPA-1-A4-07-260	401 01 04 07 260	30	260	460	13,91

PEC SPA-1 – Steel bars Ø 8 mm

PEC-SPA-1-A4-08-220	401 01 04 08 220	40	220	380	15,31
PEC-SPA-1-A4-08-240	401 01 04 08 240	35	240	420	16,48
PEC-SPA-1-A4-08-260	401 01 04 08 260	25	260	460	16,87
PEC-SPA-1-A4-08-280	401 01 04 08 280	60	280	500	19,45
PEC-SPA-1-A4-08-300	401 01 04 08 300	40	300	540	20,13
PEC-SPA-1-A4-08-320	401 01 04 08 320	200	320	580	20,72

PEC SPA-1 – Steel bars Ø 8,5 mm

PEC-SPA-1-A4-09-220	401 01 04 09 220	40	220	375	15,76
PEC-SPA-1-A4-09-240	401 01 04 09 240	30	240	415	16,28
PEC-SPA-1-A4-09-260	401 01 04 09 260	25	260	455	16,94
PEC-SPA-1-A4-09-280	401 01 04 09 280	60	280	495	19,54
PEC-SPA-1-A4-09-300	401 01 04 09 300	40	300	535	20,20
PEC-SPA-1-A4-09-320	401 01 04 09 320	150	320	575	20,87
PEC-SPA-1-A4-09-340	401 01 04 09 340	100	340	615	21,60
PEC-SPA-1-A4-09-360	401 01 04 09 360	100	360	655	22,34
PEC-SPA-1-A4-09-380	401 01 04 09 380	80	380	695	23,16
PEC-SPA-1-A4-09-400	401 01 04 09 400	80	400	735	23,81

PEC SPA-1 – Steel bars Ø 10 mm

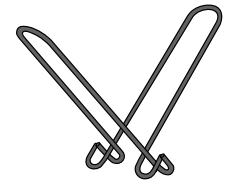
PEC-SPA-1-A4-10-340	401 01 04 10 340	50	340	610	38,54
PEC-SPA-1-A4-10-360	401 01 04 10 360	50	360	650	39,81
PEC-SPA-1-A4-10-380	401 01 04 10 380	50	380	690	40,78
PEC-SPA-1-A4-10-400	401 01 04 10 400	50	400	730	41,73
PEC-SPA-1-A4-10-420	401 01 04 10 420	50	420	770	42,70
PEC-SPA-1-A4-10-440	401 01 04 10 440	50	440	810	43,66
PEC-SPA-1-A4-10-460	401 01 04 10 460	on request	460	850	44,61

Other dimensions on request.

PEC Sandwich Panel Anchor SPA-2

Material

Stainless steel according Approval Z-21.8-2053
 - A4: 1.4571 / 1.4401 / 1.4404
 - D4: 1.4362 (Lean Duplex-Steel)



PEC SPA-2 - Steel bars Ø 5 mm

Description	Article No.	(PU) Unit	H	L	Price € / Unit
PEC-SPA-2-A4-05-140	401 02 04 05 140	on request	140	225	13,10
PEC-SPA-2-A4-05-160	401 02 04 05 160	70	160	265	13,69
PEC-SPA-2-A4-05-180	401 02 04 05 180	60	180	305	14,42
PEC-SPA-2-A4-05-200	401 02 04 05 200	50	200	345	15,46
PEC-SPA-2-A4-05-240	401 02 04 05 240	40	220	425	on request

PEC SPA-2 - Steel bars Ø 6,5 mm

PEC-SPA-2-A4-07-160	401 02 04 07 160	56	160	260	19,02
PEC-SPA-2-A4-07-180	401 02 04 07 180	50	180	300	19,90
PEC-SPA-2-A4-07-200	401 02 04 07 200	42	200	340	21,23
PEC-SPA-2-A4-07-220	401 02 04 07 220	35	220	380	22,12
PEC-SPA-2-A4-07-240	401 02 04 07 240	30	240	420	23,16
PEC-SPA-2-A4-07-260	401 02 04 07 260	20	260	460	24,50

PEC SPA-2 - Steel bars Ø 8 mm

PEC-SPA-2-A4-08-220	401 02 04 08 220	100	280	380	27,07
PEC-SPA-2-A4-08-240	401 02 04 08 240	100	300	420	30,77
PEC-SPA-2-A4-08-260	401 02 04 08 260	85	320	460	33,45
PEC-SPA-2-A4-08-280	401 02 04 08 280	85	340	500	35,21
PEC-SPA-2-A4-08-300	401 02 04 08 300	60	360	540	36,70
PEC-SPA-2-A4-08-320	401 02 04 08 320	50	380	580	38,17

PEC SPA-2 - Steel bars Ø 8,5 mm

PEC-SPA-2-A4-09-220	401 02 04 09 220	100	220	375	30,70
PEC-SPA-2-A4-09-240	401 02 04 09 240	100	240	415	32,18
PEC-SPA-2-A4-09-260	401 02 04 09 260	75	260	455	33,65
PEC-SPA-2-A4-09-280	401 02 04 09 280	60	280	495	35,37
PEC-SPA-2-A4-09-300	401 02 04 09 300	60	300	535	36,85
PEC-SPA-2-A4-09-320	401 02 04 09 320	50	320	575	38,47
PEC-SPA-2-A4-09-340	401 02 04 09 340	50	340	615	40,61
PEC-SPA-2-A4-09-360	401 02 04 09 360	50	360	655	42,77
PEC-SPA-2-A4-09-380	401 02 04 09 380	40	380	695	44,91
PEC-SPA-2-A4-09-400	401 02 04 09 400	40	400	735	47,05

PEC SPA-2 - Steel bars Ø 10 mm

PEC-SPA-2-A4-10-340	401 02 04 10 340	25	340	610	67,99
PEC-SPA-2-A4-10-360	401 02 04 10 360	25	360	650	70,51
PEC-SPA-2-A4-10-380	401 02 04 10 380	25	380	690	73,25
PEC-SPA-2-A4-10-400	401 02 04 10 400	15	400	730	75,98
PEC-SPA-2-A4-10-420	401 02 04 10 420	on request	420	770	78,73
PEC-SPA-2-A4-10-440	401 02 04 10 440	on request	440	810	81,46
PEC-SPA-2-A4-10-460	401 02 04 10 460	on request	460	850	84,20

Other dimensions on request.

PEC Sandwich Panel Anchor SPA-N

Material

Stainless steel according Approval Z-21.8-2053
- A4: 1.4571 / 1.4401 / 1.4404
- D4: 1.4362 (Lean Duplex-Steel)



PEC SPA-N – Steel bars Ø 3 mm

Description	Article No.	(PU) Unit	H	Price € / Unit
PEC-SPA-N-A4-03-140	401 03 04 03 140	1000	140	0,82
PEC-SPA-N-A4-03-160	401 03 04 03 160	1000	160	0,89
PEC-SPA-N-A4-03-180	401 03 04 03 180	1000	180	0,94
PEC-SPA-N-A4-03-200	401 03 04 03 200	1000	200	1,00

PEC SPA-N – Steel bars Ø 4 mm

PEC-SPA-N-A4-04-160	401 03 04 04 160	500	160	1,56
PEC-SPA-N-A4-04-180	401 03 04 04 180	500	180	1,69
PEC-SPA-N-A4-04-200	401 03 04 04 200	500	200	1,79
PEC-SPA-N-A4-04-220	401 03 04 04 220	500	220	1,92
PEC-SPA-N-A4-04-240	401 03 04 04 240	250	240	2,14
PEC-SPA-N-A4-04-250	401 03 04 04 250	500	250	2,23
PEC-SPA-N-A4-04-260	401 03 04 04 260	250	260	2,29
PEC-SPA-N-A4-04-280	401 03 04 04 280	250	280	2,51
PEC-SPA-N-A4-04-300	401 03 04 04 300	250	300	3,10

PEC SPA-N – Steel bars Ø 5 mm

PEC-SPA-N-A4-05-200	401 03 04 05 200	on request	200	3,55
PEC-SPA-N-A4-05-220	401 03 04 05 220	250	220	4,00
PEC-SPA-N-A4-05-240	401 03 04 05 240	250	240	4,07
PEC-SPA-N-A4-05-250	401 03 04 05 250	on request	250	4,37
PEC-SPA-N-A4-05-260	401 03 04 05 260	250	260	4,74
PEC-SPA-N-A4-05-280	401 03 04 05 280	250	280	5,19
PEC-SPA-N-A4-05-300	401 03 04 05 300	250	300	5,40
PEC-SPA-N-A4-05-320	401 03 04 05 320	200	320	5,84
PEC-SPA-N-A4-05-340	401 03 04 05 340	on request	340	6,44

PEC SPA-N – Steel bars Ø 6,5 mm

PEC-SPA-N-A4-07-320	401 03 04 07 320	on request	320	8,88
PEC-SPA-N-A4-07-340	401 03 04 07 320	on request	340	8,95
PEC-SPA-N-A4-07-360	401 03 04 07 320	on request	360	9,02
PEC-SPA-N-A4-07-380	401 03 04 07 320	on request	380	9,09
PEC-SPA-N-A4-07-400	401 03 04 07 320	on request	400	9,18
PEC-SPA-N-A4-07-420	401 03 04 07 320	on request	420	9,39
PEC-SPA-N-A4-07-440	401 03 04 07 320	on request	440	9,91
PEC-SPA-N-A4-07-460	401 03 04 07 320	on request	460	10,43

Other dimensions on request.

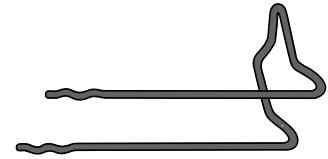
PEC Sandwich Panel Anchor SPA-A

Material

Stainless steel according Approval Z-21.8-2053
 - A4: 1.4571 / 1.4401 / 1.4404
 - D4: 1.4362 (Lean Duplex-Steel)

Deutsches
Institut
für
Bautechnik

DIBt



PEC SPA-A – Steel bars Ø 3 mm

Description	Article No.	(PU) Unit	H	Price € / Unit
PEC-SPA-A-A4-03-140	401 05 04 03 140	1000	140	1,27
PEC-SPA-A-A4-03-160	401 05 04 03 160	1000	160	1,41
PEC-SPA-A-A4-03-180	401 05 04 03 180	1000	180	1,47

PEC SPA-A – Steel bars Ø 4 mm

PEC-SPA-A-A4-04-160	401 05 04 04 160	250	160	1,69
PEC-SPA-A-A4-04-180	401 05 04 04 180	250	180	1,86
PEC-SPA-A-A4-04-200	401 05 04 04 200	250	200	2,14
PEC-SPA-A-A4-04-220	401 05 04 04 220	500	220	2,22
PEC-SPA-A-A4-04-240	401 05 04 04 240	on request	240	2,29
PEC-SPA-A-A4-04-250	401 05 04 04 250	250	250	2,44
PEC-SPA-A-A4-04-280	401 05 04 04 280	250	280	2,81

PEC SPA-A – Steel bars Ø 5 mm

PEC-SPA-A-A4-05-160	401 05 04 05 160	on request	160	4,44
PEC-SPA-A-A4-05-180	401 05 04 05 180	on request	180	4,74
PEC-SPA-A-A4-05-200	401 05 04 05 200	250	200	5,02
PEC-SPA-A-A4-05-220	401 05 04 05 220	on request	220	5,34
PEC-SPA-A-A4-05-240	401 05 04 05 240	on request	240	5,62
PEC-SPA-A-A4-05-250	401 05 04 05 250	250	250	5,92
PEC-SPA-A-A4-05-280	401 05 04 05 280	250	280	6,22
PEC-SPA-A-A4-05-300	401 05 04 05 300	on request	300	6,51
PEC-SPA-A-A4-05-320	401 05 04 05 320	200	320	6,81

Other dimensions on request.

PEC Sandwich Panel Anchor SPA-B

Material

Stainless steel according Approval Z-21.8-2053
- A4: 1.4571 / 1.4401 / 1.4404
- D4: 1.4362 (Lean Duplex-Steel)



PEC SPA-B - Steel bars Ø 3 mm

Description	Article No.	(PU) Unit	H	Price € / Unit
PEC-SPA-B-A4-03-160	401 04 04 03 160	1000	160	1,47
PEC-SPA-B-A4-03-180	401 04 04 03 180	800	180	1,62

PEC SPA-B - Steel bars Ø 4 mm

PEC-SPA-B-A4-04-160	401 04 04 04 160	600	160	1,86
PEC-SPA-B-A4-04-180	401 04 04 04 180	500	180	2,07
PEC-SPA-B-A4-04-200	401 04 04 04 200	500	200	2,29
PEC-SPA-B-A4-04-220	401 04 04 04 220	500	220	2,74
PEC-SPA-B-A4-04-240	401 04 04 04 240	400	240	2,89
PEC-SPA-B-A4-04-250	401 04 04 04 250	on request	250	3,03

PEC SPA-B - Steel bars Ø 5 mm

PEC-SPA-B-A4-05-240	401 04 04 05 240	250	240	5,02
PEC-SPA-B-A4-05-250	401 04 04 05 250	on request	250	5,10
PEC-SPA-B-A4-05-260	401 04 04 05 260	250	260	5,19
PEC-SPA-B-A4-05-280	401 04 04 05 280	250	280	5,40
PEC-SPA-B-A4-05-300	401 04 04 05 300	250	300	5,47
PEC-SPA-B-A4-05-320	401 04 04 05 320	on request	320	5,84

Other dimensions on request.

General Terms and Conditions of PEC Europe GmbH - Terms and Conditions of Sale and Services

Version as of 01.08.2024

Important notice The English-language version is provided for information purposes only as a translation of the original German version; in the event of a conflict, the German-language version shall therefore take precedence.

1. ¹These **General Terms and Conditions (GTC)** are an integral part of all our contracts for deliveries and other services. ²With the allocation of a customer number upon the first conclusion of a contract, we establish a permanent business relationship with the customer; in this respect, the GTC's shall also apply to future contracts in the version current at the time of the order and e.g. published in our catalogues, price list and at www.pec-europe.com; we also accept orders placed verbally, by telephone or electronically only with the inclusion of our respective valid GTC's. ³Our customers' **terms and conditions of purchase** shall not apply, even if we have not expressly objected to them.

2. ¹Our **offers** are **subject to change**; technical details, illustrations in our catalogues, product descriptions and the like are non-binding. ²Individual **declarations, information, advice, recommendations, assurances or guarantees** for our products, information on **special discounts, bonuses, delivery periods** as well as any **goodwill agreements** and the conclusion of independent **consultancy agreements** require the express **written confirmation** in order to be legally effective, unless there is power of representation for verbal declarations under commercial law or principles of legal appearance. ³We reserve the exclusive property rights, copyrights and rights of use to quotation or order-related execution documents or drawings. ⁴The same applies to other documents, plans or sketches and design calculations produced by us. ⁵**Disclosure** of these documents to third parties is not permitted. ⁶If no contract is concluded between us and the customer, these documents must be returned to us or destroyed immediately upon our request.

3. ¹We only sell **directly** to traders within the meaning of § 14 of the German Civil Code (BGB).

4. ¹We deliver our products exclusively at the **customer's risk**, unless otherwise agreed in writing. ²**Delivery periods and dates** are non-binding. ³Compliance with the delivery periods and dates presupposes that all commercial and technical questions have been clarified and that the customer has fulfilled **all obligations incumbent** on him (e.g. provision of the necessary official certificates/approvals, handover of the necessary execution documents, payment of the agreed down payment). ⁴If it becomes apparent even before the time stipulated for delivery that the customer has committed or will commit a **fundamental breach of contract**, we shall be entitled to withdraw from the contract in whole or in part and - if the customer is responsible for the breach - to claim damages. ⁵We shall be entitled to make **partial deliveries**, each of which shall be deemed an independent transaction, to a reasonable extent; the price shall remain unaffected. ⁶If we fulfil the order by partial delivery, shipping costs shall only be incurred for the first partial delivery; if the partial delivery is made at the customer's request, we shall charge shipping costs for each partial delivery. ⁷If the customer wishes to call-off partial deliveries, the call-offs and scheduling of individual partial deliveries must be carried out by the customer in such a way that we are able to manufacture and deliver in accordance with the contract. ⁸If the customer does not call-off or schedule deliveries or does not do so on time, we shall be entitled to withdraw from the contract and/or claim damages after setting a deadline to no avail. ⁹Unless we have reached a different agreement with the customer, call-offs for call-off orders must be made by the customer within five weeks of us making the delivery available.

5. ¹The statutory VAT is added to our stated prices. ²Our **invoices** are **due** for payment **immediately** upon receipt. **If legal dunning proceedings are initiated against our customer, all outstanding claims, even if an extended payment term was agreed for these, shall become due for immediate payment; any discounts granted shall then no longer apply.** ³If an agreed payment term is exceeded, we shall be entitled, in addition to our statutory claims, to charge contractual **interest on arrears** from the date of receipt of the invoice at the usual bank debit

interest rate, at least 9 percentage points above the base interest rate p.a., and to postpone or refuse further deliveries. ⁴Pre-judicial costs, in particular **information, reminder and bank chargeback costs**, can be charged at a flat rate of € 40.00, irrespective of proof of higher or lower costs. ⁵The date of **repayment of the debt** shall not depend on the date of dispatch, but on the date on which the amount is credited to our account. ⁶In the absence of a repayment provision to the contrary, we shall initially offset **payments** against interest and costs. ⁷Counterclaims may only be **offset** if they are undisputed by us or if they have been legally established or are at least ready for judgement. ⁸Counterclaims may also be offset by the customer if the customer's claim and our claim are legally based on a reciprocal relationship.

6. ¹If molds and objects are to be delivered according to drawings, models or samples provided to us by the customer, the customer shall guarantee that the manufacture and delivery **does not infringe the industrial property rights of third parties**. ²If a third party prohibits us from manufacturing and delivering items made according to drawings, models or samples provided by the customer, citing industrial property rights belonging to him, **we shall be entitled**, without being obliged to examine the legal situation, to **discontinue the manufacture and delivery and to demand reimbursement of the costs incurred**. ³In all cases of this Section, the customer is obliged to indemnify us immediately against claims for damages by third parties. ⁴Samples, drawings and other order attachments may be destroyed by us six months after execution of the contract.

7. ¹Our deliveries are subject to **retention of title** until full payment of all claims to which we are entitled from the business relationship with the customer. ²The delivered products are to be treated with care and may only be used as intended. ³In particular, they may not be **pledged or transferred** to third parties without disclosure of the ownership structure. ⁴Excluded from this is fastening material and other consumables that are processed, in particular installed, in the ordinary course of business. ⁵In each case of an authorized resale or processing of our products, the customer hereby assigns to us the resulting claims against his customers (e.g. builders, general contractors) with all ancillary rights in the amount of the value of these reserved goods (**extended retention of title**). ⁶The customer shall only remain authorized to collect his claims as long as he is not in default. ⁷In the event of default and in the event of **an application for insolvency** concerning the customer, we hereby prohibit the resale or processing of our goods subject to retention of title and **revoke our authorization to collect** the claims assigned to us as security.

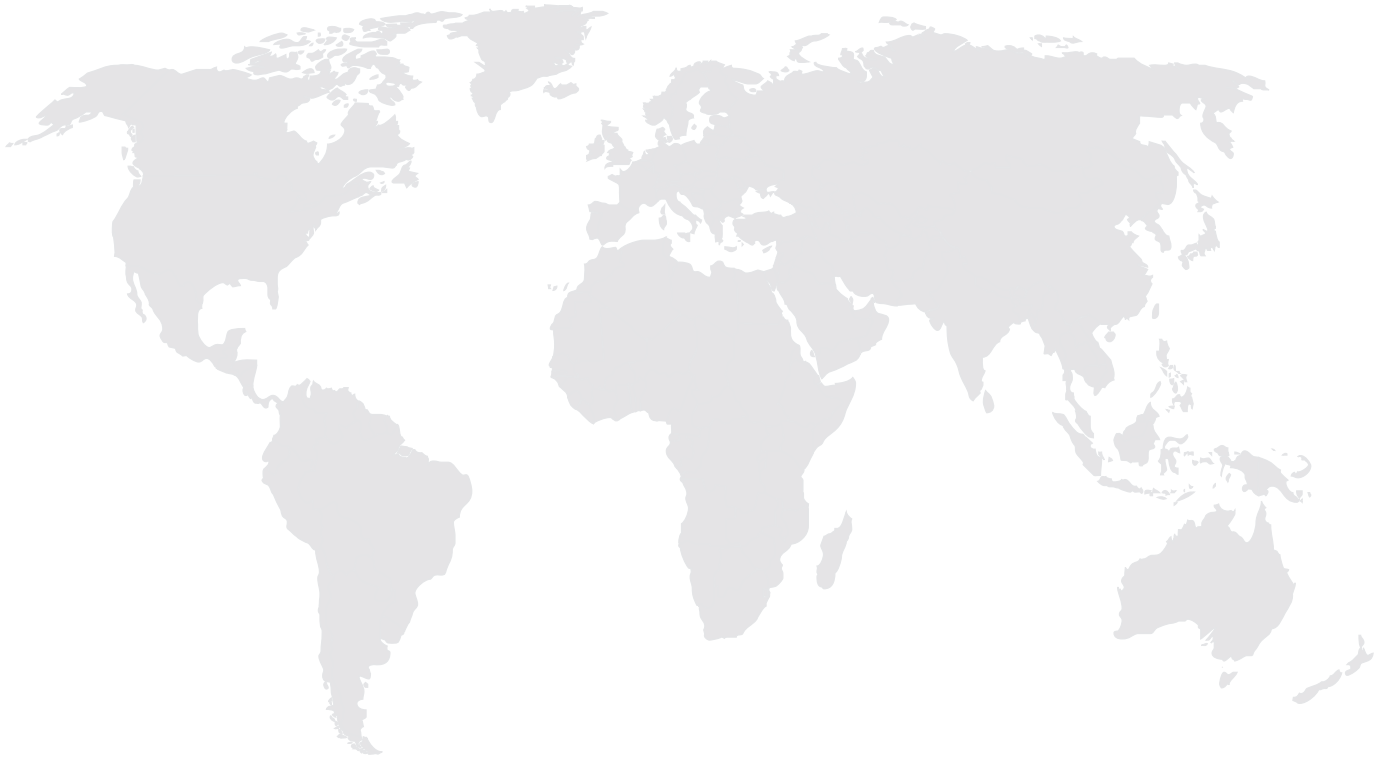
8. ¹The customer must **check** our deliveries and invoices immediately and **notify** us immediately of any defects within the meaning of the German Civil Code (BGB) and within the meaning of § 377 of the German Commercial Code (HGB) and/or **errors** in the invoice. ²In the event of any **defects** in the products or other services supplied by us, we shall be obliged to provide **subsequent fulfilment** - at our discretion by repair or replacement. ³If the subsequent fulfilment fails, the customer may reduce the remuneration accordingly or withdraw from the contract. ⁴Insofar as a notification of defects by the customer is unfounded, we may invoice the customer for services that we provide at the customer's request or demand on the basis of such a notification at our valid prices, as well as for the expenses incurred as a result (e.g. travel expenses). ⁵The **limitation period** for claims for defects is **12 months**, calculated from the transfer of risk. In the cases of § 438 Para. 1 No. 1 and 2, § 438 Para. 3, § 634a Para. 1 No. 2 and § 634a Para. 3 of the German Civil Code (BGB), the limitation period stipulated therein shall apply. ⁶A longer limitation period may also apply in the case of separate guarantees or service commitments. ⁷If the customer asserts claims for damages, the limitation period shall be governed solely by the statutory provisions.

⁸Liability for claims for damages, regardless of the legal grounds, shall be governed by Section 10 of these GTC.

9. ¹The **knowledge** of the relevant regulations for the use of our products (in particular **DIN standards**, admittances and building law) as well as the examination of any specifications of third parties (e.g. planners, builders) is in any case the responsibility of our customers, so that we are not liable for **damages** caused by non-compliance with these regulations or specifications in the absence of our own breach of duty. ²The customer is aware that our employees are generally not state-certified structural engineers or engineers, nor are they master craftsmen or journeymen. ³Consultancy services provided by our employees therefore do not re-place the necessary commissioning of qualified specialists. ⁴If the customer fails to consult qualified specialists, we shall not be liable for any resulting damage.
10. ¹Our liability and the **liability** of our legal representatives and vicarious agents, regardless of the contractual or statutory legal basis, is **excluded** for all damages, unless the respective damage is based on an intentional or grossly negligent breach of duty or on a simple negligent breach of essential contractual obligations (i.e. obligations on the fulfilment of which the customer regularly relies and may rely for the proper execution of the contract) by our legal representatives or vicarious agents. ²In the event of a simple negligent breach of essential contractual obligations, our liability shall be **limited** to the foreseeable, typically occurring damage. ³These limitations and exclusions of liability shall not apply in the event of liability for culpable injury to life, limb or health,

in the event of liability for non-fulfilment of a guarantee, in the event of liability for fraudulent concealment of a defect or in the event of liability under the Product Liability Act (Produkthaftungsgesetz).

11. ¹The customer is obliged to provide us upon request with all information and documents necessary to comply with export control regulations. ²If the customer supplies products to third parties (including affiliated companies of the customer), the customer undertakes to comply with the **export control regulations**. ³We have the right to refuse fulfilment in the event of violations of this provision.
12. ¹In our business transactions with merchants, legal entities under public law or with special funds under public law, the **place of fulfilment** for the customer's payment obligation is Duisburg. ²German law shall apply to the exclusion of the UN Convention on Contracts for the International Sale of Goods to the interpretation, implementation and enforcement of these GTC's and to orders and individual orders placed based on these GTC's. ³**The exclusive place of jurisdiction for all disputes between the customer and us is Duisburg.**
13. ¹Should one or more of the provisions of these GTC's be or become invalid or unenforceable, only these shall be deemed not to have been stipulated, and the **validity of the remaining provisions** shall remain **unaffected**. ²The invalid or unenforceable provision(s) or the provision(s) that have become invalid or unenforceable shall be replaced by such provisions that are closest in meaning and effect to the originally intended provision(s).



www.pec-europe.com

PEC Europe GmbH
Obere Kaiserswerther Straße 56
47249 Duisburg / Deutschland
Phone: +49 (0) 203 - 45 65 99 0
Fax: +49 (0) 203 - 45 65 99 25
sales@pec-europe.com

pec EUROPE
*The best of
both worlds!*

For more information, please visit our website at www.pec-europe.com.